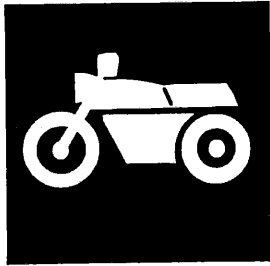


YAMAHA



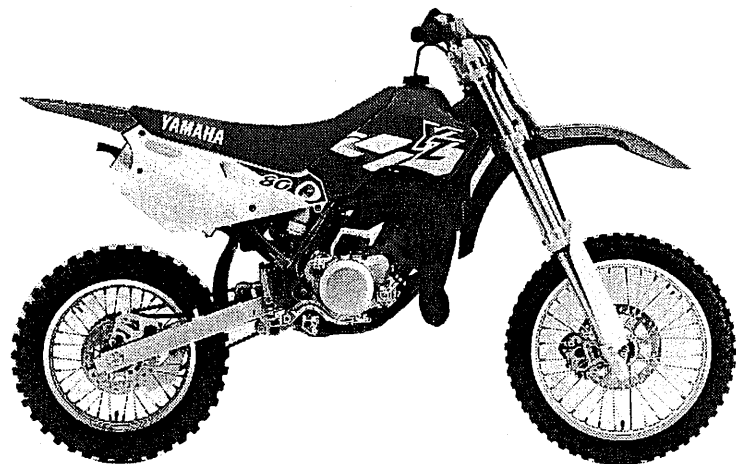
**PARTS
CATALOGUE**

YZ80K (4ES7) U.S.A., CANADA, NEWZEALAND
S.AFRICA, EUROPE

YZ80LWK (4LC5) NEWZEALAND, EUROPE

184ES-100E1

YAMAHA
GENUINE
Parts & Accessories



A3

FOREWORD

This Parts Catalogue is related to the parts for the model(s) in the below frame. When you are ordering replacement parts, please refer to this Parts Catalogue and quote both part numbers and part names correctly.

YZ80K(4ES7), YZ80LWK(4LC5)

1. Modifications or additions which have been made after issue of the Parts Catalogue will be announced in the Yamaha Parts News.
It is advisable that you make necessary corrections to the Parts Catalogue according to the Yamaha Parts News.

2. Abbreviations
The following abbreviations are used in this Parts Catalogue.

"UR" Use specified parts number.
 "UN" Use as many as needed.
 "AP" Alternate Parts
 "LM" Local Made (Parts need to be ordered locally)
 "F#" Frame No. (Applicable machine No.)

3. Parts, which are to be supplied in an assembly, are listed with a dot (.) in front of the part name as shown below.

EXAMPLE
 CARBURETOR ASSY
 . JET, PILOT
 . NOZZLE, MAIN

4. Number of component for assembly
The numeral appearing to the right of each component part indicates the quantity of parts for each assembly unit.

EXAMPLE

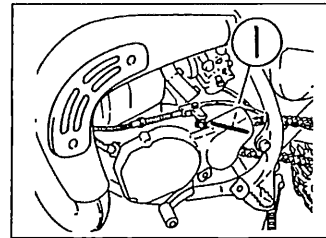
PART NO.	DESCRIPTION	Q'TY	REMARKS
2F5-83310-60	FRONT FLASHER LIGHT ASSY	2	
115-83311-60	. BULB (6V-18W)	1	

5. Applicable colors of graphics are represented in the "REMARKS" as shown below.

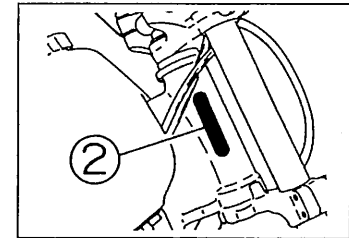
PART NO.	DESCRIPTION	Q'TY	REMARKS
2N4-24110-00-X5	FUEL TANK COMP.	1	MAXIM RED
3J1-24240-10	. GRAPHIC, FUEL TANK	1	for MXR

6. Applicable Serial No.

① Engine Serial No.



② Frame Serial No.



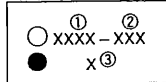
7. Note that the illustrations are for reference in finding parts numbers, not to be used for assembling. When assembling, please use the applicable service manual.

8. The asterisk (*) before a reference number indicates modification items after the first edition.

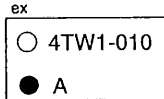
MODEL LABEL

(1) A label called "Model Label" is affixed in the location as indicated in (3) below. When using this parts catalogue, please be sure to cross-refer the "model code - production code No." in the catalogue to the "model code - production code No." indicated on the Model Label affixed onto the product concerned.

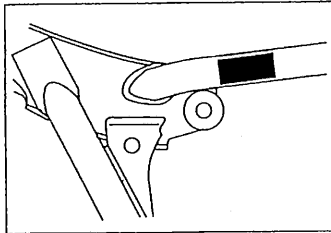
(2) "Model Label" Indication



① Model Type Code
 ② Production Code No.
 ③ Colouring Type



(3) Model Label Affixing Location



(4) Model Code - Production Code Number of Model Listed in This Parts Catalog

Model code	Production code No.	Country (destination)	Model code	Production code No.	Country (destination)
4ES7	010	USA			
	020	CANADA			
	030	ENGLAND			
	040	NEWZEALAND			
	050	SWEDEN			
	060	S. AFRICA			
4LC5	010	NEWZEALAND			
	020	ENGLAND			
	030	SWEDEN			

(5) Colouring Information

Colouring type code	Colour code	Colour Name	Abbreviation
A	0583	DEEP PURPLISH BLUE SOLID E	DPBSE

CONTENTS

ENGINE

Cylinder	B2
Crankshaft, Piston	B3
Water Pump	B4
Radiator, Hose	B5
Intake	B6
Carburetor	B7~B8
Exhaust	B9
Crankcase	B10
Crankcase Cover 1	B11
Starter	B12
Clutch	B13
Transmission	B14~B15
Shift Cam, Fork	C2
Shift Shaft	C3

CHASSIS

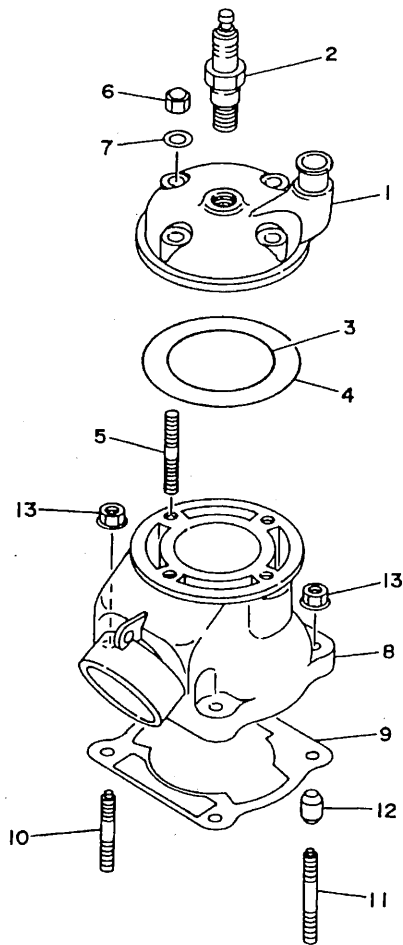
Frame	C4
Fender	C5
Side Cover	C6
Rear Arm	C7~C8
Rear Suspension	C9
Steering	C10
Front Fork	C11~C12
Fuel Tank	C13
Seat	C14
Front Wheel	C15
Front Brake Caliper	D2
Rear Wheel	D3~D4
Rear Brake Caliper	D5

Steering Handle, Cable	D6
Front Master Cylinder	D7
Stand, Footrest	D8
Rear Master Cylinder	D9
Generator	D10
Handle Switch, Lever	D11
Electrical 1	D12
Alternate (Chassis)	D13
Optional Parts 1	D14

INDEX

Numerical Index	M1~M3
-----------------------	-------

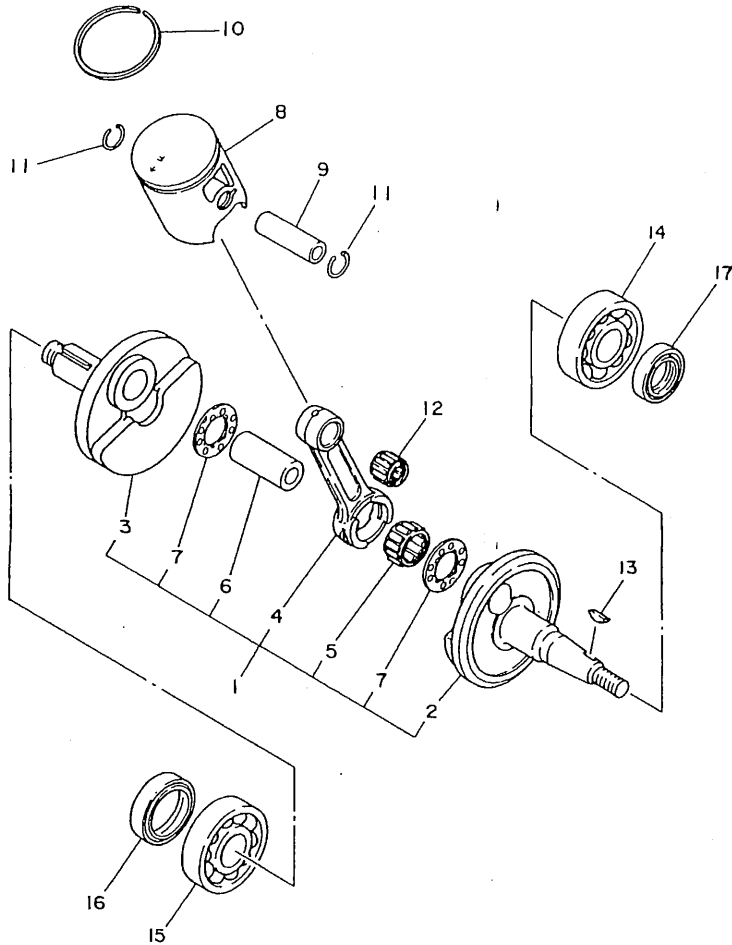
FIG. 1 CYLINDER



REF. NO.	PART NO.	DESCRIPTION	4ES7	4LC5				REMARKS
1	4LC-11111-00	HEAD, CYLINDER 1	1	1				
2	94702-00367	PLUG, SPARK (NGK B10EG)	1					FOR USA
	94702-00368	PLUG, SPARK (NGK BR10EG)	1	1				
3	93210-56459	O-RING	1	1				
4	93210-84724	O-RING	1	1				
5	90116-08394	BOLT, STUD	4	4				
6	90176-08026	NUT, CROWN	4	4				
7	90201-08087	WASHER, PLATE	4	4				
8	4ES-11311-10	CYLINDER 1	1	1				
9	4ES-11351-00	GASKET, CYLINDER	1	1				
10	90116-08318	BOLT, STUD	2	2				
11	90116-08388	BOLT, STUD	2	2				
12	99530-10114	PIN, DOWEL	2	2				
13	90179-08299	NUT	4	4				

B2

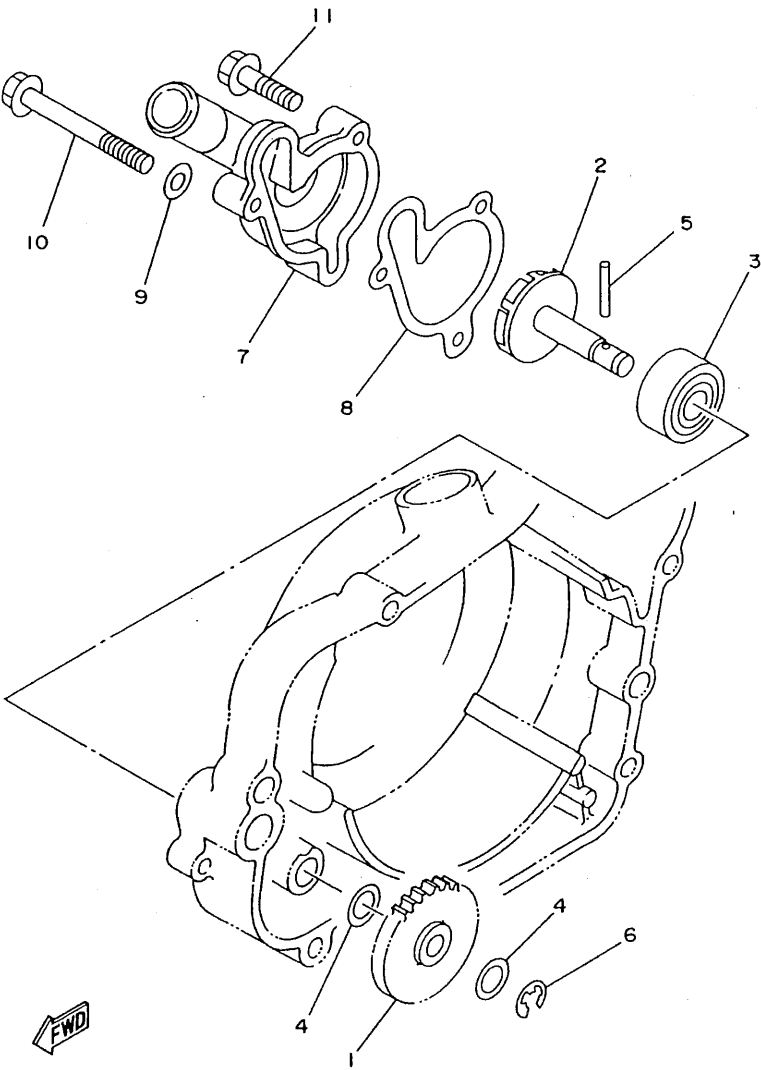
FIG. 2 CRANKSHAFT, PISTON



4ES1100-3020

REF. NO.	PART NO.	DESCRIPTION	4ES7	4LC5	REMARKS
1	4ES-11400-02	CRANKSHAFT ASSY	1	1	
2	4ES-11412-00	.CRANK 1	1	1	
3	4ES-11422-00	.CRANK 2	1	1	
4	4ES-11651-01	.ROD, CONNECTING	1	1	
5	93310-320T3	.BEARING	1	1	
6	2RA-11681-00	.PIN, CRANK 1	1	1	
7	90209-20159	.WASHER	2	2	
8	4ES-11631-01-A0	PISTON (STD)	1	1	UR RED
	4ES-11631-01-B0	PISTON (STD)	1	1	UR ORANGE
	4ES-11631-01-C0	PISTON (STD)	1	1	UR GREEN
	4ES-11631-01-D0	PISTON (STD)	1	1	UR PURPLE
9	4ES-11633-00	PIN, PISTON	1	1	
10	43K-11611-00	RING, PISTON	1	1	
11	93450-16115	CIRCLIP	2	2	
12	93310-214FB	BEARING	1	1	KOYO
13	90280-03045	KEY, WOODRUFF	1	1	
14	93306-20438	BEARING	1	1	
15	93306-30421	BEARING (B6304C3)	1	1	
16	93103-28126	OIL SEAL	1	1	
17	93102-20447	OIL SEAL	1	1	

B3



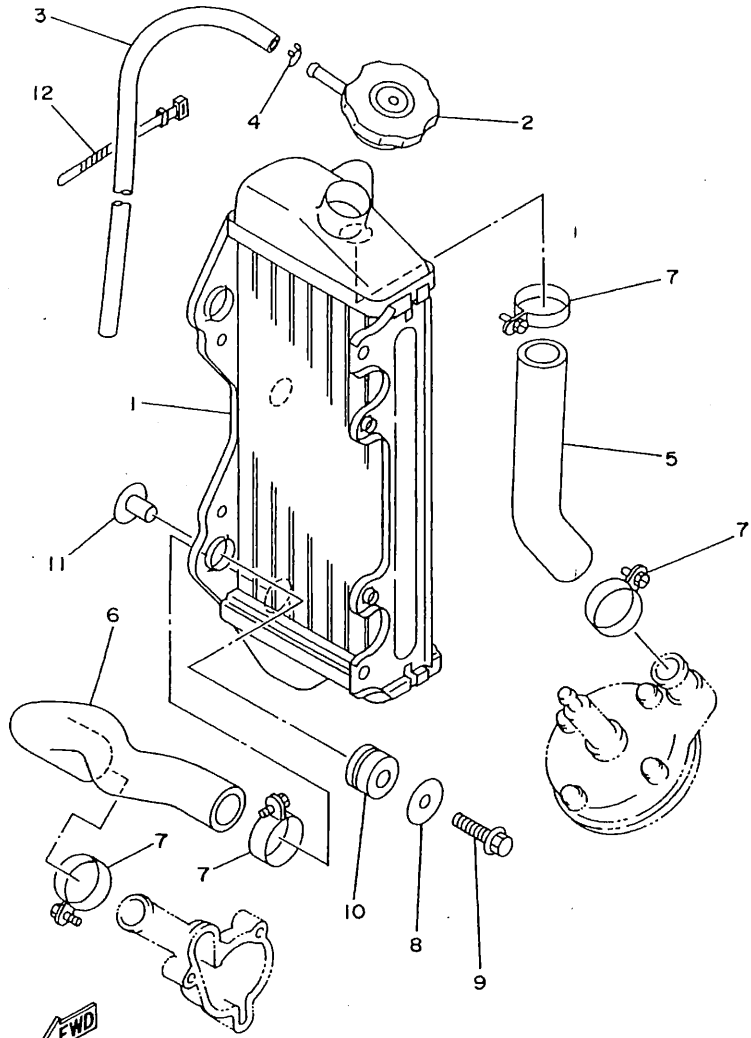
4ES1100-3030

FIG. 3 WATER PUMP

REF. NO.	PART NO.	DESCRIPTION	4ES7	4LC5				REMARKS
1	4ES-12459-00	GEAR, IMPELLER SHAFT	1	1				
2	36F-12450-00	IMPELLER SHAFT ASSY	1	1				
3	93103-10147	OIL SEAL	1	1				
4	90201-08512	WASHER, PLATE	2	2				
5	93603-22028	PIN, DOWEL	1	1				
6	99001-07600	CIRCLIP	1	1				
7	4BA-12422-00	COVER, HOUSING	1	1				
8	4BA-12428-00	GASKET, HOUSING COVER 2	1	1				
9	90430-06166	GASKET	1	1				
10	95827-06060	BOLT, FLANGE	1	1				
11	95027-06025	BOLT, FLANGE	2	2				

B4

FIG. 4 RADIATOR. HOSE

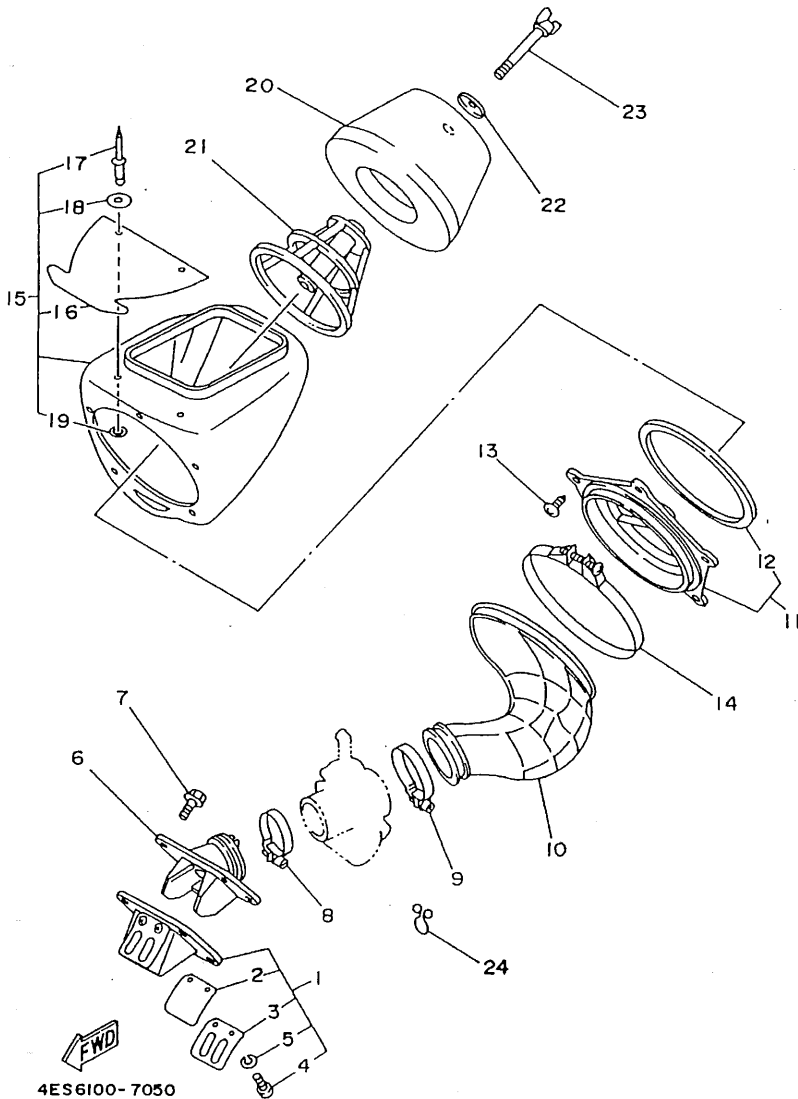


4ES1100-3040

REF. NO.	PART NO.	DESCRIPTION	4ES7	4LCS	REMARKS
1	4ES-12461-00	RADIATOR ASSY	1	1	
2	22W-12462-00	CAP, RADIATOR	1	1	
3	22W-12463-00	PIPE, BREATHER	1	1	
4	90467-08002	CLIP	1	1	
5	4ES-12481-00	PIPE 1	1	1	
6	4ES-12482-00	PIPE 2	1	1	
7	90450-28014	HOSE CLAMP ASSY	4	4	
8	90201-06071	WASHER, PLATE	3	3	
9	95027-06030	BOLT, FLANGE	3	3	
10	90480-15528	GROMMET	3	3	
11	90387-0700G	COLLAR	3	3	
12	437-83936-01	BAND, SWITCH CORD	1	1	

B5

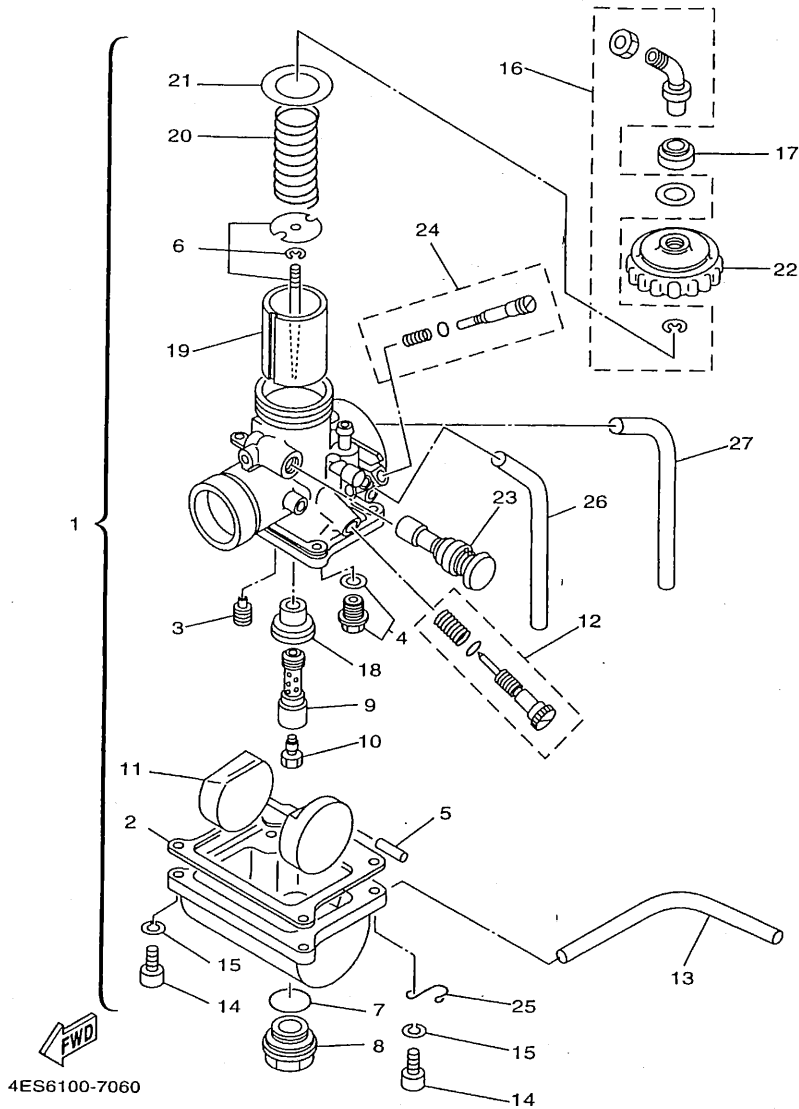
FIG. 5 INTAKE



REF. NO.	PART NO.	DESCRIPTION			REMARKS
			4ES7	4LC5	
1	4ES-13610-00	REED VALVE ASSY	1	1	
2	4ES-13613-00	.REED, VALVE	2	2	
3	4ES-13616-00	.STOPPER, REED VALVE	2	2	
4	98507-03008	.SCREW, PAN HEAD	4	4	
5	92907-03100	.WASHER	4	4	
6	4ES-13565-00	JOINT, CARBURETOR	1	1	
7	95027-06020	BOLT, FLANGE	4	4	
8	90450-45075	HOSE CLAMP ASSY	1	1	
9	90460-51059	CLAMP, HOSE	1	1	
10	4ES-14453-00	JOINT, AIR CLEANER 1	1	1	
11	4ES-14459-00	HOLDER, GUIDE	1	1	
12	4ES-14462-00	.SEAL	1	1	
13	97707-50014	SCREW, TAPPING	5	5	
14	90450-99064	HOSE CLAMP ASSY	1	1	
15	4ES-14411-01	CASE, AIR CLEANER 1	1	1	
16	4ES-14417-00	.COVER 1	1	1	
17	90267-40077	.RIVET, BLIND	2	2	
18	90201-047A2	.WASHER, PLATE	2	2	
19	92907-04600	.WASHER	2	2	
20	4ES-14451-00	ELEMENT, AIR CLEANER	1	1	
21	4ES-14458-00	GUIDE	1	1	
22	90209-06096	WASHER	1	1	
23	90122-06038	BOLT, WING	1	1	
24	90464-16039	CLAMP	1	1	

B6

FIG. 6 CARBURETOR



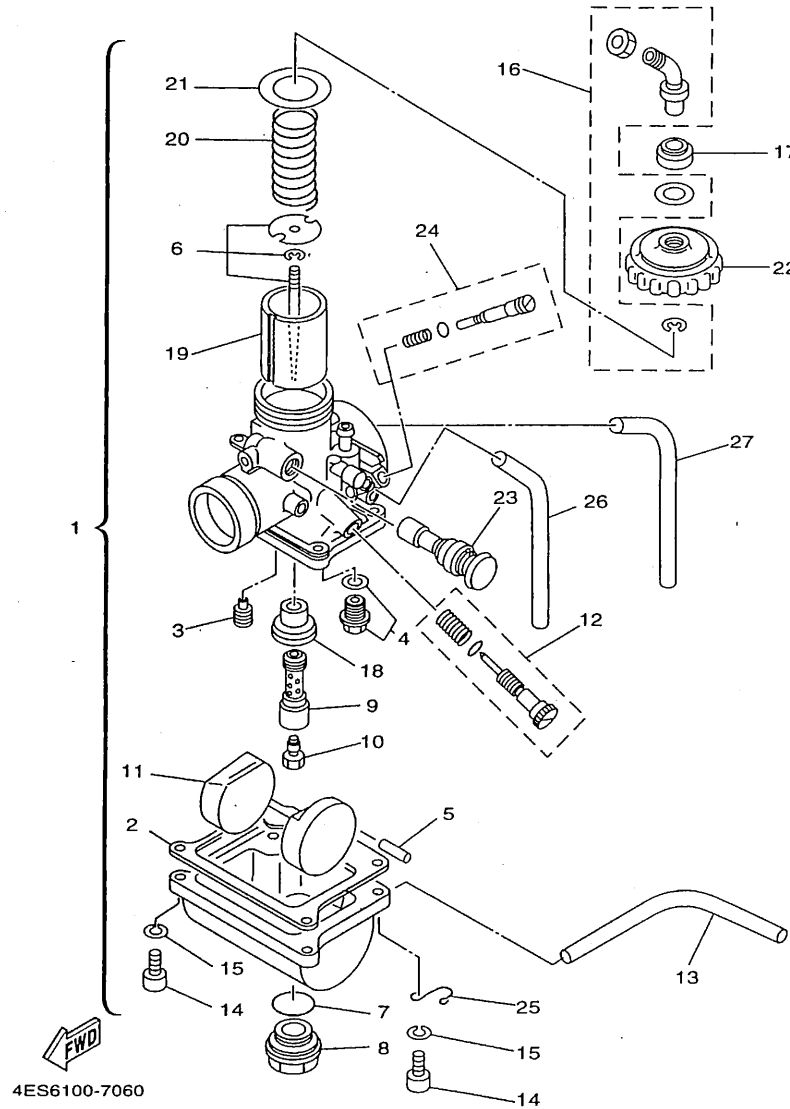
4ES6100-7060

REF. NO.	PART NO.	DESCRIPTION	4ES7	4LCS	REMARKS
1	4ES-14101-10	CARBURETOR ASSY 1	1	1	
2	304-14184-00	.GASKET, FLOAT CHAMBER	1	1	
3	260-14142-32	.JET, PILOT (# 32.5)	1	1	STD
	260-14142-30	.JET, PILOT (# 30)	1	1	AP
	260-14142-35	.JET, PILOT (# 35)	1	1	AP
4	23L-14107-25	.NEEDLE VALVE SET	1	1	
5	127-14186-00	.PIN, FLOAT	1	1	
6	58T-1490J-00	.NEEDLE SET	1	1	
7	93210-18288	.O-RING	1	1	
8	3R1-14115-00	.PLUG, SCREW	1	1	
9	3R1-14141-52	.NOZZLE, MAIN	1	1	STD
	3R1-14141-50	.NOZZLE, MAIN	1	1	AP
	3R1-14141-54	.NOZZLE, MAIN	1	1	AP
10	137-14143-60	.JET, MAIN (#300)	1	1	STD
	137-14143-58	.JET, MAIN (#290)	1	1	AP
	137-14143-62	.JET, MAIN (#310)	1	1	AP
11	314-14185-00	.FLOAT	1	1	
12	31J-14103-00	.THROTTLE SCREW SET	1	1	
13	10V-14196-00	.PIPE	1	1	
14	98507-04018	.SCREW, PAN HEAD	4	4	
15	92907-04100	.WASHER, SPRING	4	4	
16	22W-14106-00	.CABLE ADJUST SCREW SET	1	1	
17	3X3-14169-00	.CAP	1	1	
18	39K-14153-00	.WASHER, MAIN JET	1	1	
19	2X6-14112-30	.VALVE, THROTTLE 1	1	1	STD
	2X6-14112-25	.VALVE, THROTTLE 1	1	1	AP
	2X6-14112-35	.VALVE, THROTTLE 1	1	1	AP

B7

FIG. 6 CARBURETOR

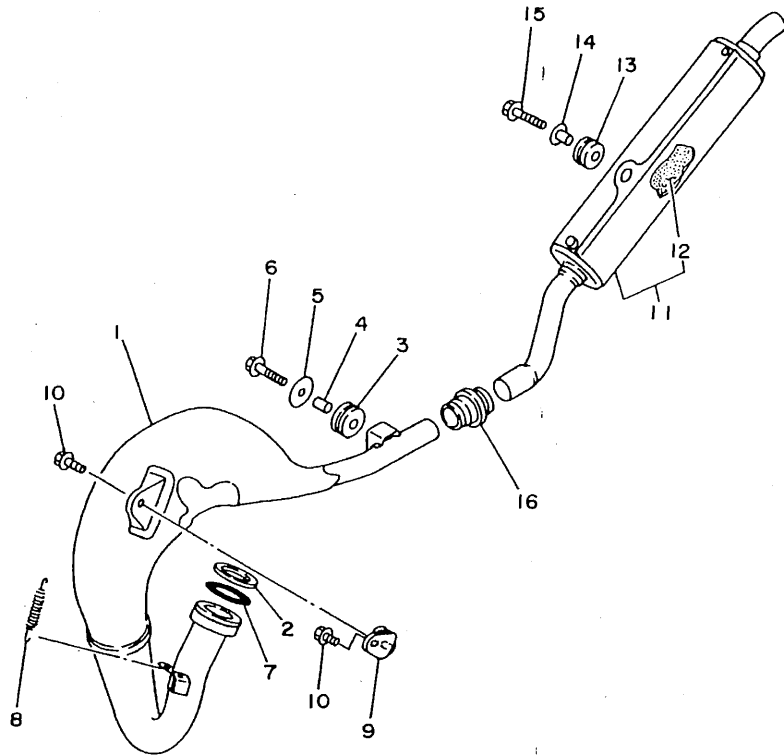
REF. NO.	PART NO.	DESCRIPTION	4ES7	4LC5	REMARKS
20	248-14131-00	.SPRING, THROTTLE VALVE	1	1	
21	2A6-14126-00	.GASKET	1	1	
22	2A6-14158-00	.TOP, MIXING CHAMBER	1	1	
23	3SB-14171-00	.PLUNGER, STARTER	1	1	
24	10W-14104-00	.AIR SCREW SET	1	1	
25	25G-14937-00	.CLIP	2	2	
26	3JN-14196-00	.PIPE	1	1	
27	3Y1-14197-00	.PIPE	1	1	



4ES6100-7060

B8

FIG. 7 EXHAUST



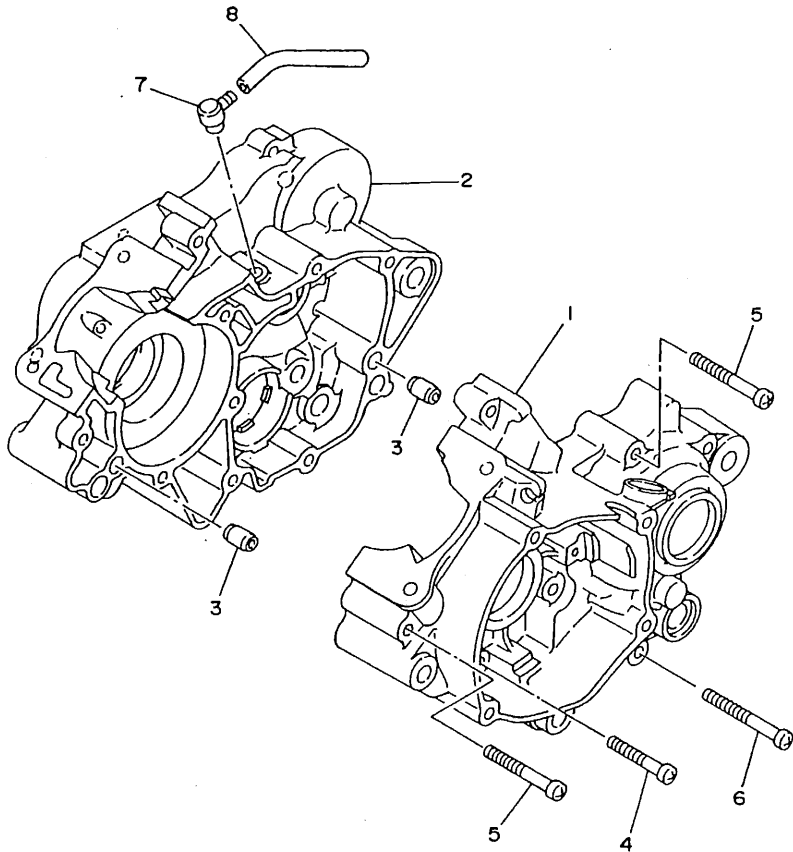
REF. NO.	PART NO.	DESCRIPTION	4ES7	4LC5			REMARKS
1	4ES-14610-10	EXHAUST PIPE ASSY 1	1	1			
2	90201-33299	WASHER, PLATE	1	1			
3	90480-18411	GROMMET	1	1			
4	90387-105L0	COLLAR	1	1			
5	90201-060A3	WASHER, PLATE	1	1			
6	95027-06025	BOLT, FLANGE	1	1			
7	93210-371A9	O-RING	1	1			
8	90507-20030	SPRING, TENSION	1	1			
9	565-14771-00	STAY, MUFFLER 1	1	1			
10	95027-06012	BOLT, FLANGE	2	2			
11	4ES-14753-00	SILENCER, EXHAUST	1	1			
12	4ES-1469A-00	FIBER	1	1			
13	90480-16561	GROMMET	1	1			
14	90387-063G3	COLLAR	1	1			
15	95027-06025	BOLT, FLANGE	1	1			
16	17W-14615-00	JOINT, EXHAUST 1	1	1			


4ES3100-4070

B9

FIG. 8 CRANKCASE

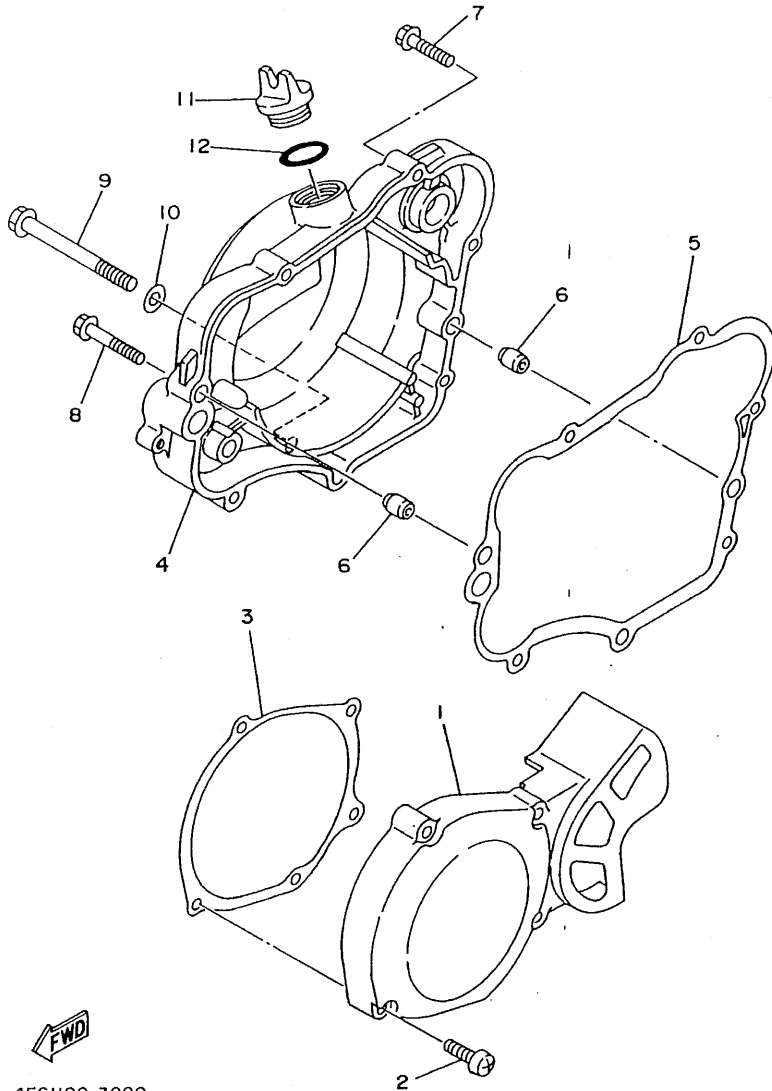
REF. NO.	PART NO.	DESCRIPTION	4ES7	4CS	REMARKS
1	4ES-15111-00	CRANKCASE 1	1	1	
2	4ES-15121-01	CRANKCASE 2	1	1	
3	99530-10014	PIN, DOWEL	2	2	
4	98507-06040	SCREW, PAN HEAD	3	3	
5	98507-06050	SCREW, PAN HEAD	5	5	
6	98507-06060	SCREW, PAN HEAD	3	3	
7	120-15371-00	BREATHER	1	1	
8	90446-07349	HOSE	1	1	



4ES1100-3080

B10

FIG. 9 CRANKCASE COVER 1

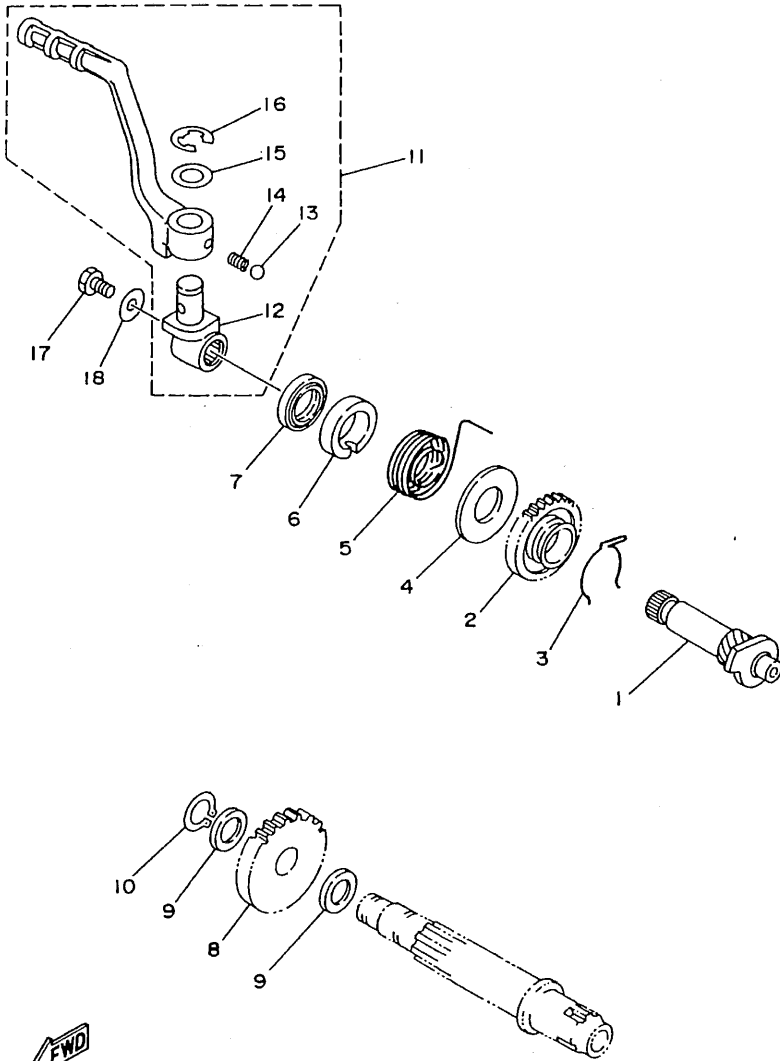


REF. NO.	PART NO.	DESCRIPTION	4ES7	4LC5	REMARKS
1	4ES-15411-00	COVER, CRANKCASE 1	1	1	
2	98507-06030	SCREW, PAN HEAD	4	4	
3	4ES-15451-00	GASKET, CRANKCASE COVER 1	1	1	
4	4ES-15421-01	COVER, CRANKCASE 2	1	1	
5	4ES-15461-00	GASKET, CRANKCASE COVER 2	1	1	
6	99530-10014	PIN, DOWEL	2	2	
7	95027-06030	BOLT, FLANGE	4	4	
8	95027-06040	BOLT, FLANGE	1	1	
9	95027-08080	BOLT, FLANGE	1	1	
10	90430-08119	GASKET	1	1	
11	3Y1-15363-00	PLUG, OIL	1	1	
12	93210-19123	O-RING	1	1	


4ES1100-3090

B11

FIG. 10 STARTER



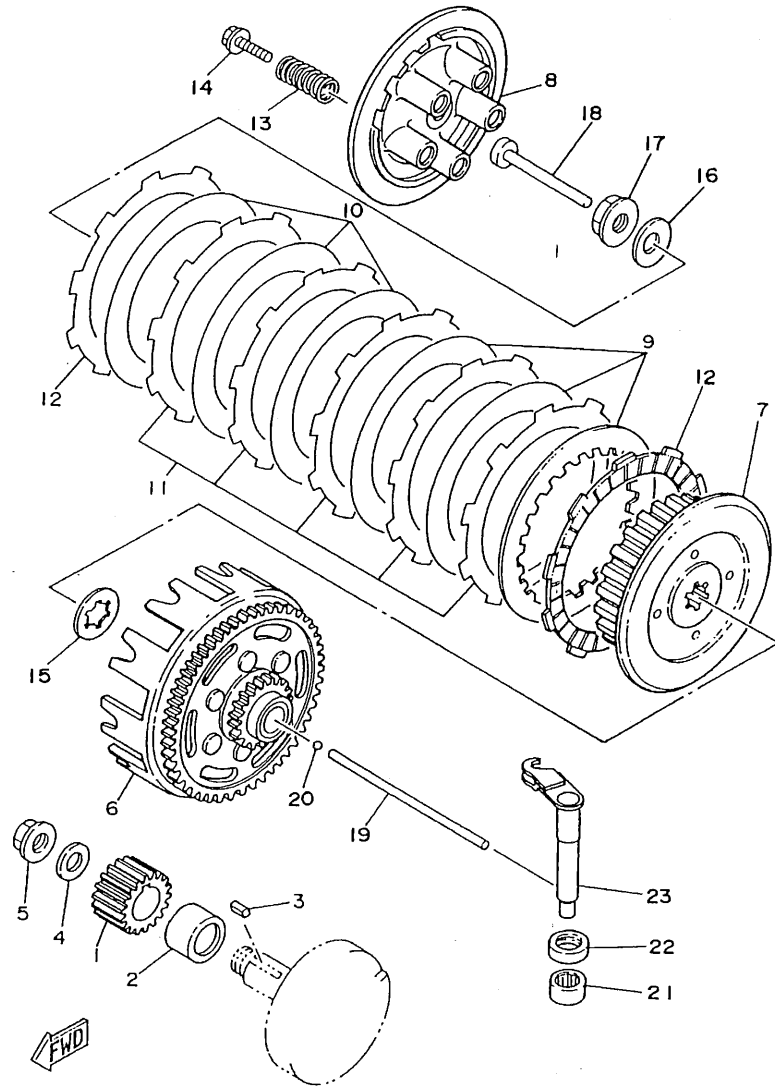
REF. NO.	PART NO.	DESCRIPTION	4ES7	4LC5			REMARKS
1	4ES-15660-00	KICK AXLE ASSY	1	1			
2	4ES-15641-00	GEAR, KICK	1	1			
3	90468-23194	CLIP	1	1			
4	90201-176L4	WASHER, PLATE	1	1			
5	90508-26750	SPRING, TORSION	1	1			
6	4ES-15664-00	GUIDE, SPRING	1	1			
7	93102-17263	OIL SEAL	1	1			
8	4ES-15651-00	GEAR, KICK IDLE	1	1			
9	90201-124F8	WASHER, PLATE	2	2			
10	99009-12400	CIRCLIP	1	1			
11	4ES-15620-00	KICK CRANK ASSY	1	1			
12	4ES-15621-00	.BOSS, KICK CRANK	1	1			
13	93507-32009	.BALL	1	1			
14	90501-12081	.SPRING, COMPRESSION	1	1			
15	90201-12631	.WASHER, PLATE	1	1			
16	93430-08007	.CIRCLIP	1	1			
17	95027-08012	BOLT, FLANGE	1	1			
18	90201-06060	WASHER, PLATE	1	1			



4ES1100-3100

B12

FIG. 11 CLUTCH

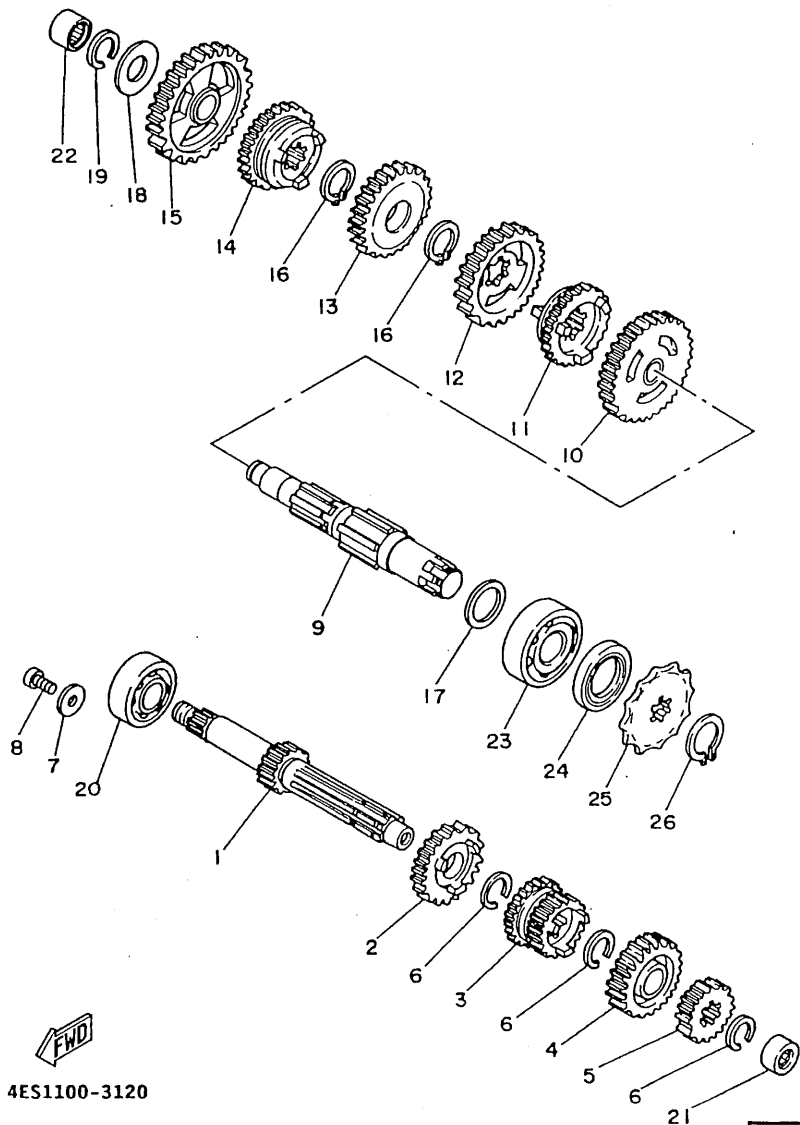


4ES4100-5110

REF. NO.	PART NO.	DESCRIPTION	4ES7	4LCS	REMARKS
1	4ES-16111-00	GEAR, PRIMARY DRIVE	1	1	
2	90387-20488	COLLAR	1	1	
3	90282-05001	KEY, STRAIGHT (5MMX16MM)	1	1	
4	90208-12015	WASHER, CONICAL SPRING	1	1	
5	90179-12659	NUT	1	1	
6	4ES-16150-11	PRIMARY DRIVEN GEAR COMP.	1	1	
7	37F-16371-01	BOSS, CLUTCH	1	1	
8	2TK-16351-00	PLATE, PRESSURE 1	1	1	
9	257-16324-00	PLATE, CLUTCH 1	3	3	
10	131-16324-00	PLATE, CLUTCH 1	3	3	
11	4ES-16321-00	PLATE, FRICTION	5	5	
12	21V-16321-00	PLATE, FRICTION	2	2	
13	90501-20735	SPRING, COMPRESSION	5	5	
14	90119-05001	BOLT, WITH WASHER	5	5	
15	4V0-16154-00	PLATE, THRUST 1	1	1	
16	90208-12015	WASHER, CONICAL SPRING	1	1	
17	90179-12659	NUT	1	1	
18	4ES-16356-00	ROD, PUSH 1	1	1	
19	2RA-16357-00	ROD, PUSH 2	1	1	
20	93503-16003	BALL	1	1	
21	93315-11206	BEARING	1	1	
22	93102-12224	OIL SEAL	1	1	
23	4ES-16381-00	PUSH LEVER COMP.	1	1	

B13

FIG. 12 TRANSMISSION

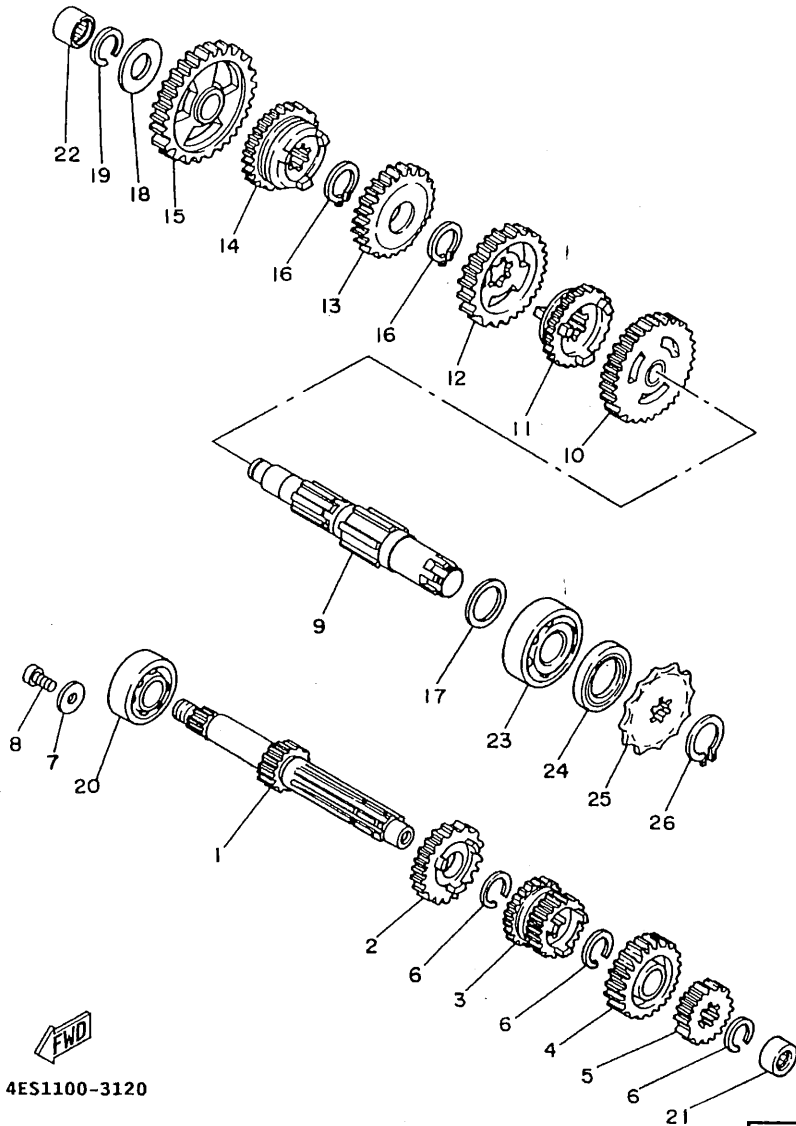


4ES1100-3120

REF. NO.	PART NO.	DESCRIPTION	4ES7	4LCS	REMARKS
1	4ES-17411-01	AXLE, MAIN	1	1	
2	4ES-17151-00	GEAR, 5TH PINION	1	1	
3	4ES-17131-00	GEAR, 3RD PINION	1	1	
4	4ES-17161-00	GEAR, 6TH PINION	1	1	
5	4ES-17121-01	GEAR, 2ND PINION	1	1	
6	93440-17064	CIRCLIP	3	3	
7	90201-06060	WASHER, PLATE	2	2	
8	90157-06071	SCREW, PAN HEAD	2	2	
9	4ES-17421-00	AXLE, DRIVE	1	1	
10	4ES-17221-01	GEAR, 2ND WHEEL	1	1	
11	4ES-17261-01	GEAR, 6TH WHEEL	1	1	
12	4ES-17231-01	GEAR, 3RD WHEEL	1	1	
13	4ES-17241-00	GEAR, 4TH WHEEL	1	1	
14	4ES-17251-00	GEAR, 5TH WHEEL	1	1	
15	4ES-17211-01	GEAR, 1ST WHEEL	1	1	
16	93410-20038	CIRCLIP	2	2	
17	90201-203E7	WASHER, PLATE	1	1	
18	164-17427-00-06	SHIM 1 (0.6T)	1	1	
19	93440-15012	CIRCLIP	1	1	
20	93306-20333	BEARING	1	1	
21	93317-11245	BEARING	1	1	
22	93315-31502	BEARING	1	1	
23	93306-20401	BEARING (B6204)	1	1	
24	93102-20143	OIL SEAL	1	1	
25	93822-14037	SPROCKET,DRIVE 14T(1741746140)	1		STD
	93822-13024	SPROCKET,DRIVE 13T(1741746130)	1		STD
	93822-12012	SPROCKET,DRIVE 12T(1741746120)	1	1	AP

B14

FIG. 12 TRANSMISSION



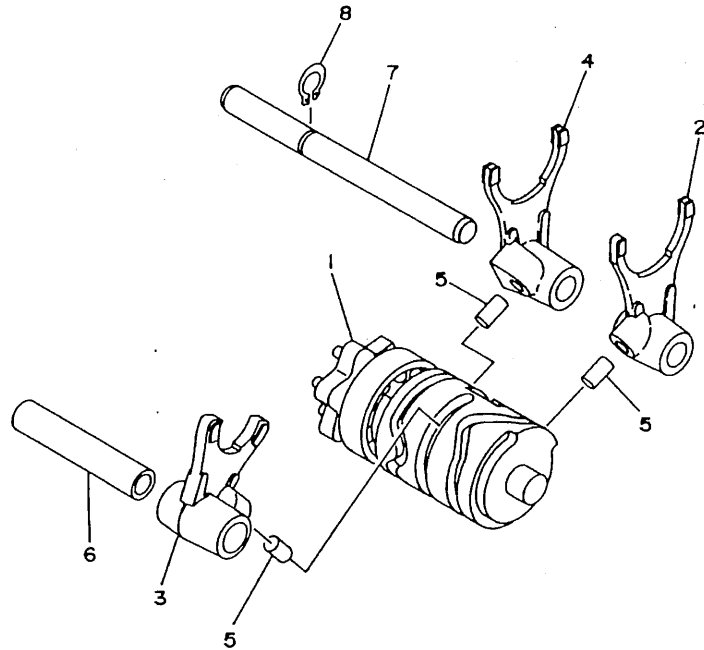
REF. NO.	PART NO.	DESCRIPTION	4ES7	4LC5			REMARKS
25	93822-13024	SPROCKET,DRIVE 13T(1741746130)	1				AP
	93822-14037	SPROCKET,DRIVE 14T(1741746140)		1			AP
	93822-15065	SPROCKET,DRIVE 15T(1741746150)	1	1			AP
26	99009-18400	CIRCLIP	1	1			

FWD
4ES1100-3120

B15

FIG. 13 SHIFT CAM. FORK

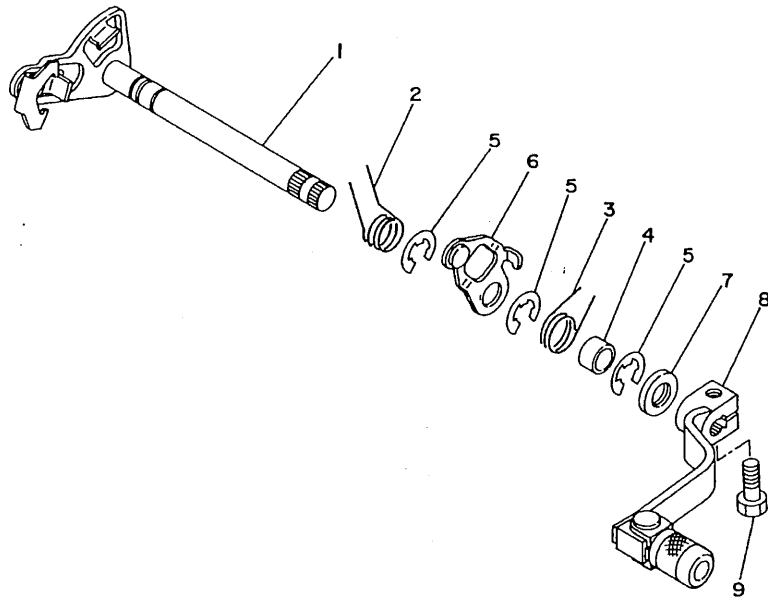
REF. NO.	PART NO.	DESCRIPTION	4ES7	4LC5				REMARKS
1	4ES-18540-00	SHIFT CAM ASSY	1	1				
2	4ES-18511-02	FORK, SHIFT 1	1	1				
3	5R2-18512-00	FORK, SHIFT 2	1	1				
4	4ES-18513-01	FORK, SHIFT 3	1	1				
5	90250-06013	PIN, STRAIGHT	3	3				
6	4BA-18531-00	BAR, SHIFT FORK GUIDE 1	1	1				
7	4BA-18535-00	BAR, SHIFT FORK GUIDE 2	1	1				
8	99009-10400	CIRCLIP	1	1				



4ES3100-4130

C2

FIG. 14 SHIFT SHAFT



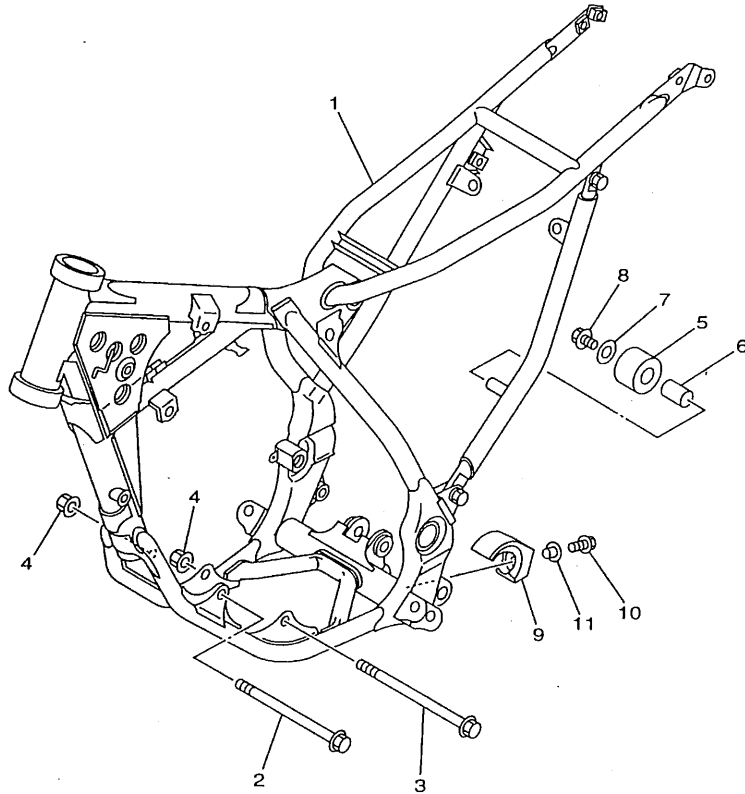
REF. NO.	PART NO.	DESCRIPTION	4ES7	4LC5			REMARKS
1	4ES-18101-00	SHIFT SHAFT ASSY	1	1			
2	90508-32553	SPRING, TORSION	1	1			
3	90508-242A6	SPRING, TORSION	1	1			
4	90387-126Y7	COLLAR	1	1			
5	99001-10600	CIRCLIP	3	3			
6	4BA-18140-00	STOPPER LEVER ASSY	1	1			
7	93101-12060	OIL SEAL	1	1			
8	2HF-18110-01	SHIFT PEDAL ASSY	1	1			
9	97027-06020	BOLT	1	1			



4ES1100-3140

C3

FIG. 15 FRAME



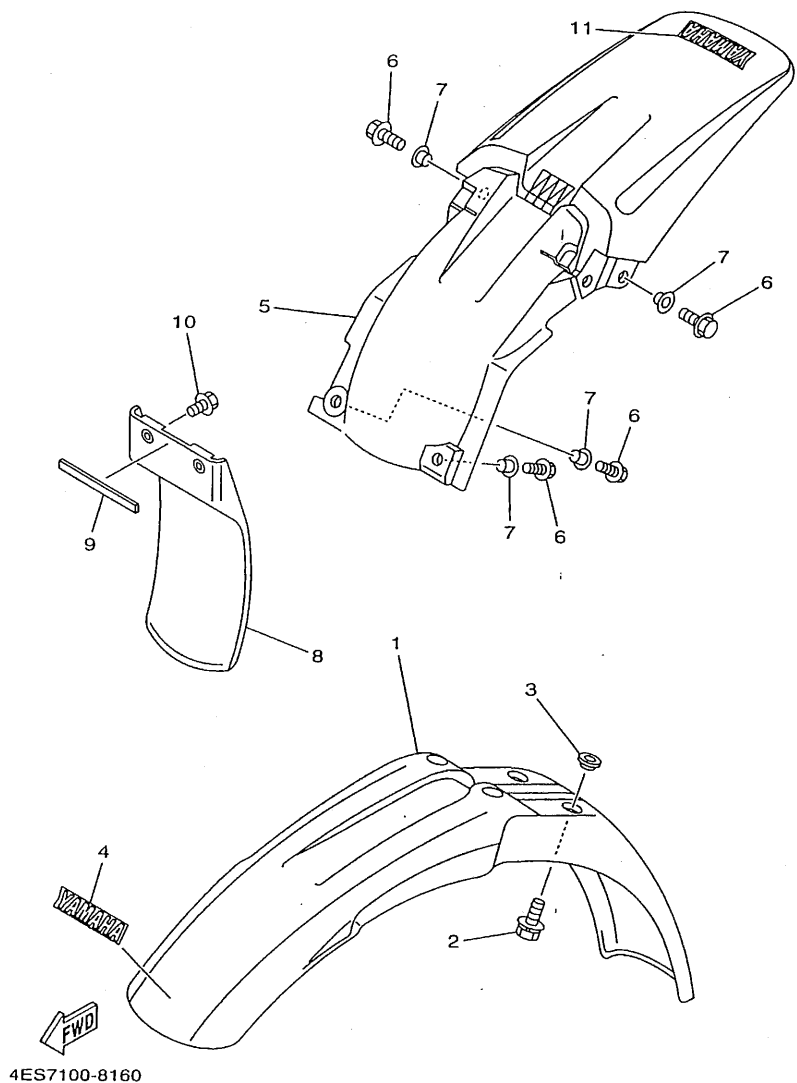
REF. NO.	PART NO.	DESCRIPTION	4ES7	4LC5	REMARKS
1	4ES-21110-02-P0	FRAME COMP.	1	1	DPBMC
2	95817-08125	BOLT, FLANGE	1	1	
3	95817-08135	BOLT, FLANGE	1	1	
4	95607-08200	NUT, SELF-LOCKING	2	2	
5	30X-22178-00	TENSIONER	1	1	
6	4V4-22184-00	BUSH	1	1	
7	90201-081R9	WASHER, PLATE	1	1	
8	95027-08012	BOLT, FLANGE	1	1	
9	4ES-22178-00	TENSIONER	1	1	
10	90119-06118	BOLT, WITH WASHER	1	1	
11	90387-06216	COLLAR	1	1	



4ES7100-8150

C4

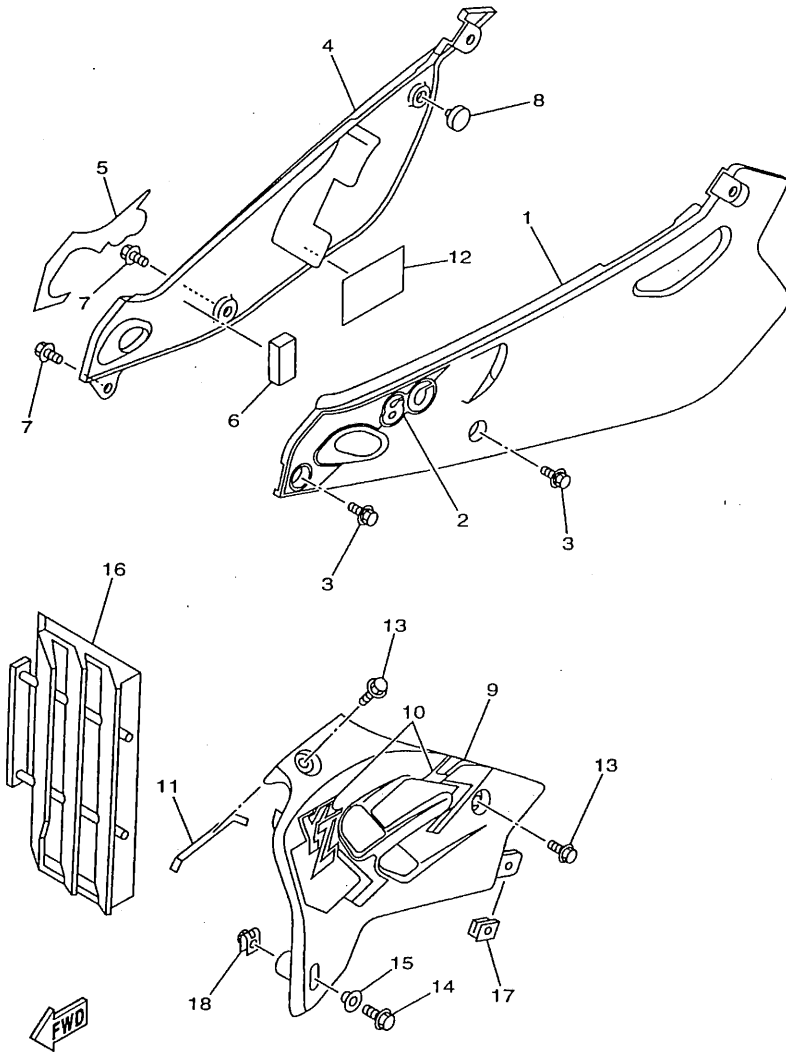
FIG. 16 FENDER



REF. NO.	PART NO.	DESCRIPTION	4ES7	4LC5	REMARKS
1	4ES-21511-20	FENDER, FRONT	1	1	
2	90119-06063	BOLT, WITH WASHER	4	4	
3	90209-06187	WASHER	4	4	
4	99241-00080	EMBLEM, YAMAHA	1		FOR USA
	99241-00080	EMBLEM, YAMAHA		1	
5	4ES-21611-10	FENDER, REAR	1	1	
6	95027-06016	BOLT, FLANGE	4	4	
7	90387-064X4	COLLAR	4	4	
8	4ES-21642-00	GUARD, FLAP	1	1	
9	25G-21575-00	SEAL 1		1	
10	90119-06185	BOLT, WITH WASHER	2	2	
11	99241-00080	EMBLEM, YAMAHA	1		FOR USA
	99241-00080	EMBLEM, YAMAHA		1	

C5

FIG. 17 SIDE COVER

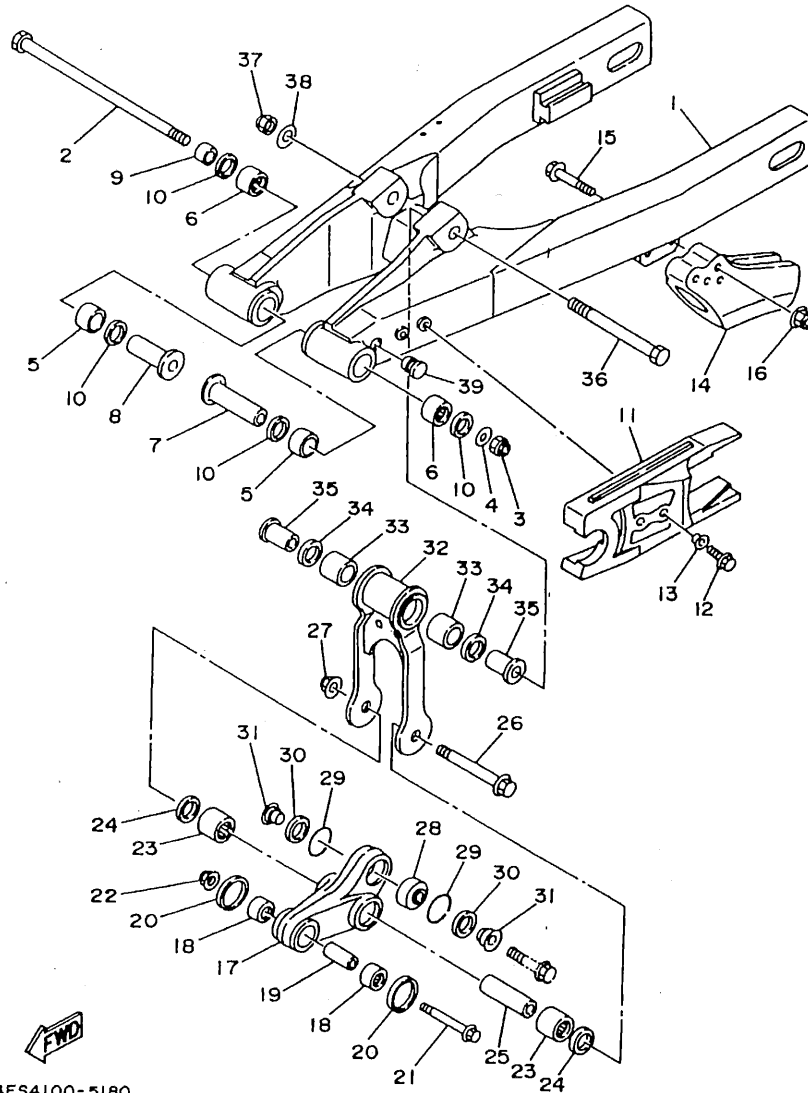


4ES7100-8170

REF. NO.	PART NO.	DESCRIPTION			REMARKS
			4ES7	4LCS	
1	4ES-21711-00	COVER, SIDE 1	1	1	
2	4ES-2173E-10	GRAPHIC 1	1	1	
3	90119-06217	BOLT, WITH WASHER	2	2	
4	4ES-21721-00	COVER, SIDE 2	1	1	
5	4ES-2173F-10	GRAPHIC 2	1	1	
6	4ES-21735-00	SEAL 2	1	1	
7	90119-06217	BOLT, WITH WASHER	2	2	
8	22W-24181-00	DAMPER, LOCATING 1	1	1	
9	4ES-21731-20	COVER, SIDE 3	1	1	
10	4ES-21790-10	EMBLEM SET	1	1	
11	4ES-21732-00	SEAL 1	1	1	
12	4DJ-2174A-00	INSULATOR, SIDE COVER	1	1	
13	90109-067F4	BOLT	2	2	
14	95027-06016	BOLT, FLANGE	1	1	
15	90387-062M9	COLLAR	1	1	
16	4EW-2172A-10	PANEL 1	1	1	
17	90183-06023	NUT, SPRING	1	1	
18	90183-06069	NUT, SPRING	1	1	

C6

FIG. 18 REAR ARM

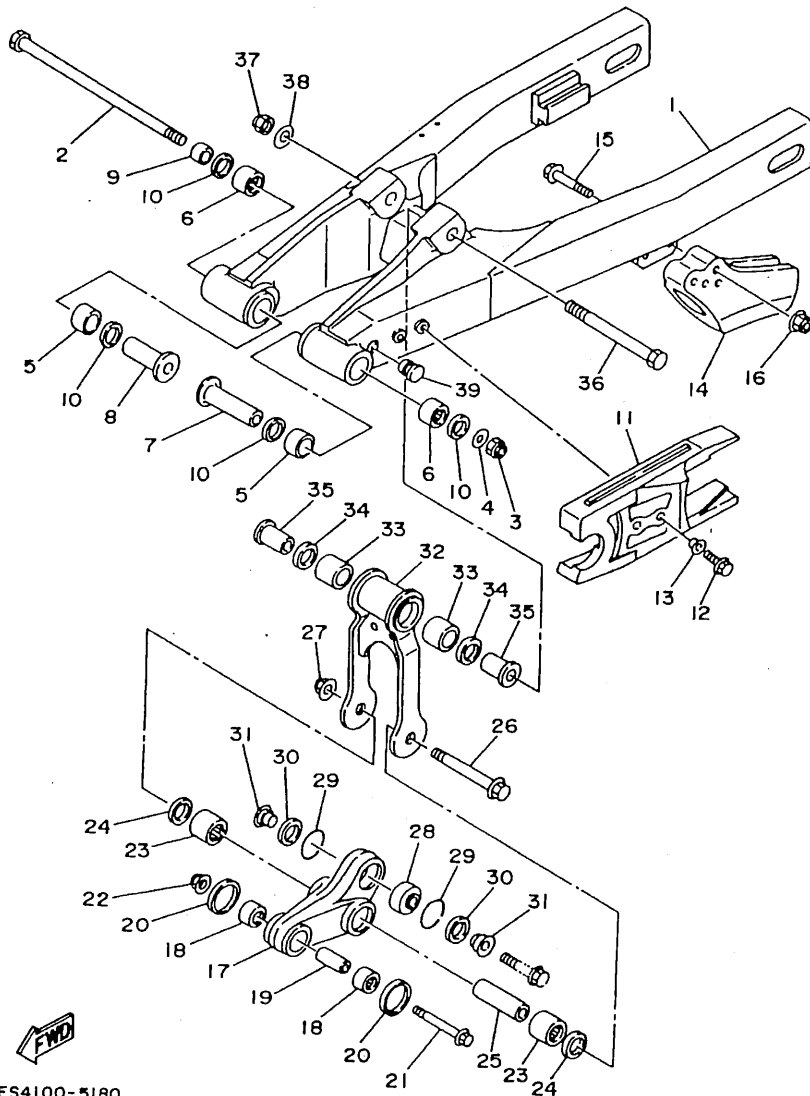


4ES4100-5180

REF. NO.	PART NO.	DESCRIPTION	4ES7	4LC3	REMARKS
1	4ES-22110-00	REAR ARM COMP.	1		
	4LB-22110-00	REAR ARM COMP.		1	
2	22W-25181-01	AXLE, WHEEL	1	1	
3	95617-12100	NUT, U	1	1	
4	90201-124G9	WASHER, PLATE	1	1	
5	90385-17042	BUSH	2	2	
6	93317-21746	BEARING	2	2	
7	90387-127J8	COLLAR	1	1	
8	90387-127J7	COLLAR	1	1	
9	90387-1200U	COLLAR	1	1	
10	93109-17048	OIL SEAL (SDO 17-24-4)	4	4	
11	4ES-22151-10	SEAL, GUARD	1	1	
12	95027-06014	BOLT, FLANGE	2	2	
13	90387-062X0	COLLAR	2	2	
14	39K-22199-00	SUPPORT, CHAIN	1	1	
15	90105-08310	BOLT, WASHER BASED	2	2	
16	95607-08200	NUT, SELF-LOCKING	2	2	
17	4ES-2217A-00	ARM, RELAY	1	1	
18	93315-21455	BEARING	2	2	
19	90380-10218	BUSH, SOLID	1	1	
20	4ES-22129-00	COVER, THRUST 2	2	2	
21	90105-10582	BOLT, WASHER BASED	1	1	
22	95607-10200	NUT, SELF-LOCKING	1	1	
23	93317-31771	BEARING	2	2	
24	93101-17062	OIL SEAL	2	2	
25	90380-12219	BUSH, SOLID	1	1	
26	90105-12382	BOLT, WASHER BASED	1	1	

C7

FIG. 18 REAR ARM

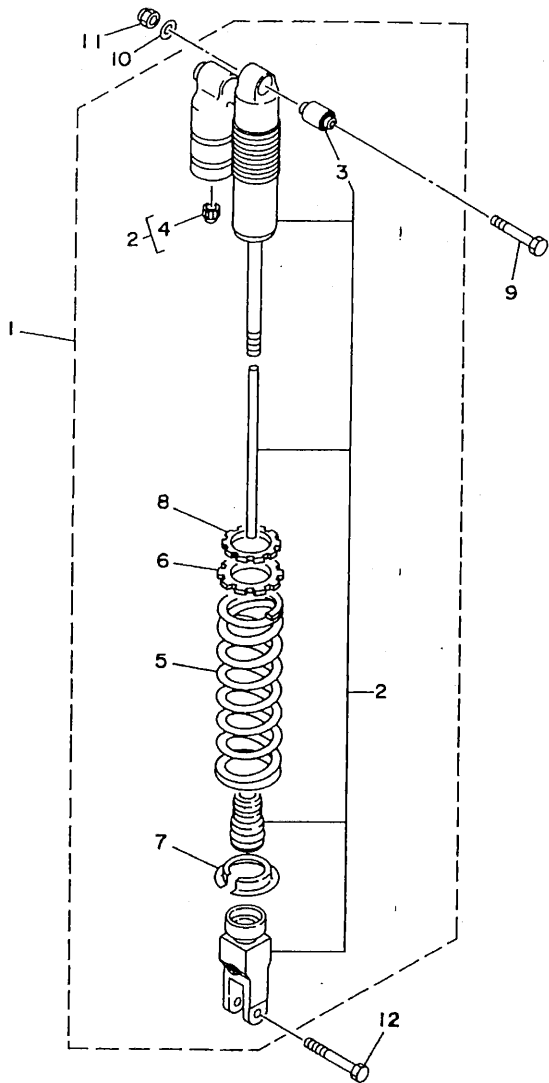


4ES4100-5180

REF. NO.	PART NO.	DESCRIPTION	4ES7	4LC5	REMARKS
27	95607-12200	NUT, SELF-LOCKING	1	1	
28	93399-99921	BEARING	1	1	
29	93440-30113	CIRCLIP	2	2	
30	3XJ-22475-00	SEAL, DUST	2	2	
31	90387-103X9	COLLAR	2	2	
32	4ES-2217F-00	ROD, CONNECTING 1	1	1	
33	93317-31771	BEARING	2	2	
34	93101-17062	OIL SEAL	2	2	
35	90381-12091	BUSH, SOLID	2	2	
36	90101-12755	BOLT	1	1	
37	90185-12119	NUT, SELF-LOCKING	1	1	
38	90201-12749	WASHER, PLATE	1	1	
39	90338-10150	PLUG	2	2	

C8

FIG. 19 REAR SUSPENSION



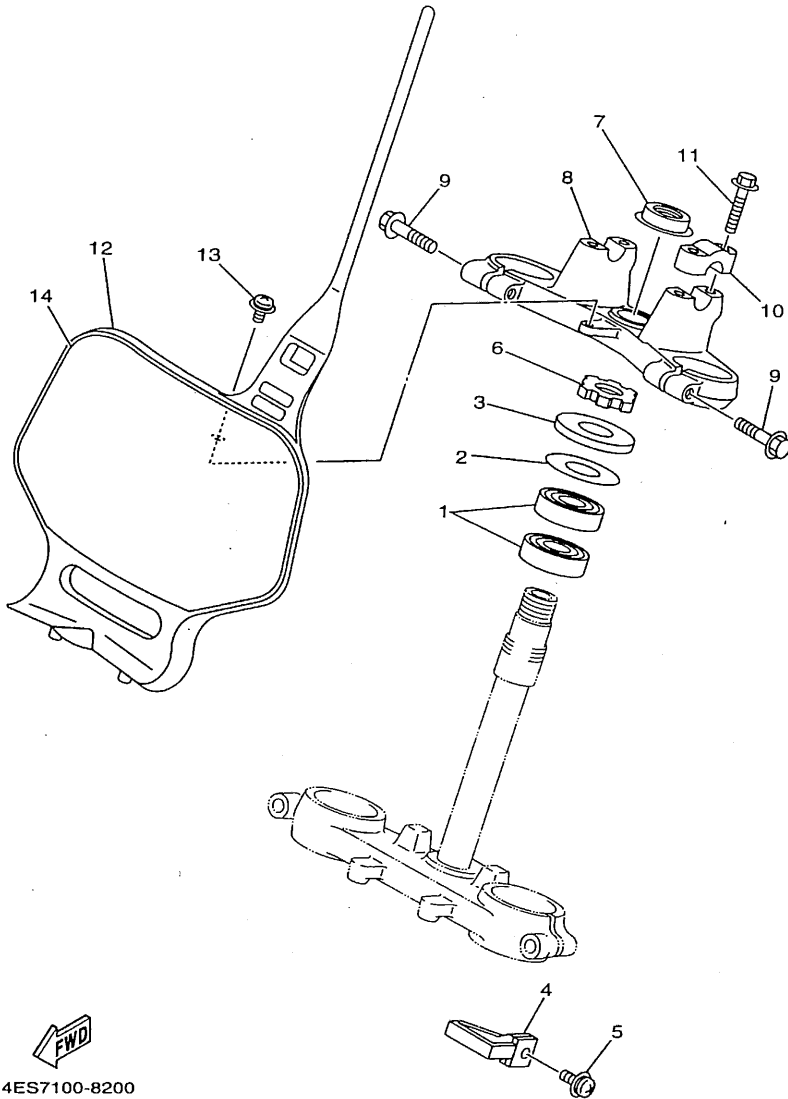
REF. NO.	PART NO.	DESCRIPTION			REMARKS
			4ES7	4LCS	
1	4ES-22210-C0	SHOCK ABSORBER ASSY, REAR	1		FOR USA
	4ES-22210-D0	SHOCK ABSORBER ASSY, REAR	1		FOR CAN
	4ES-22210-E0	SHOCK ABSORBER ASSY, REAR	1		FOR NZL/EUR/ZAF
	4LB-22210-60	SHOCK ABSORBER ASSY, REAR		1	
2	4ES-22201-30	.DAMPER SUB ASSY	1		FOR USA
	4ES-22201-40	.DAMPER SUB ASSY	1		FOR CAN
	4ES-22201-50	.DAMPER SUB ASSY	1		FOR NZL/EUR/ZAF
	4LB-22201-40	.DAMPER SUB ASSY		1	
3	4ES-22216-00	..BUSH, REAR SHOCK ABSORBER	1	1	
4	58T-23184-L0	..CAP, AIR VALVE	1	1	
5	4ES-22212-F0	.SPRING (K=5.0)	1		
	4ES-22212-H0	.SPRING (K=5.2)		1	
6	4ES-22214-00	.GUIDE, SPRING 1	1	1	
7	3JD-22214-00	.GUIDE, SPRING 1	1	1	
8	4ES-22251-00	.NUT 1	1	1	
9	90109-10729	BOLT	1	1	
10	92907-10600	WASHER, PLATE	1	1	
11	90185-10110	NUT, SELF-LOCKING	1	1	
12	90105-10614	BOLT, WASHER BASED	1	1	



4ESI100-3190

C9

FIG. 20 STEERING



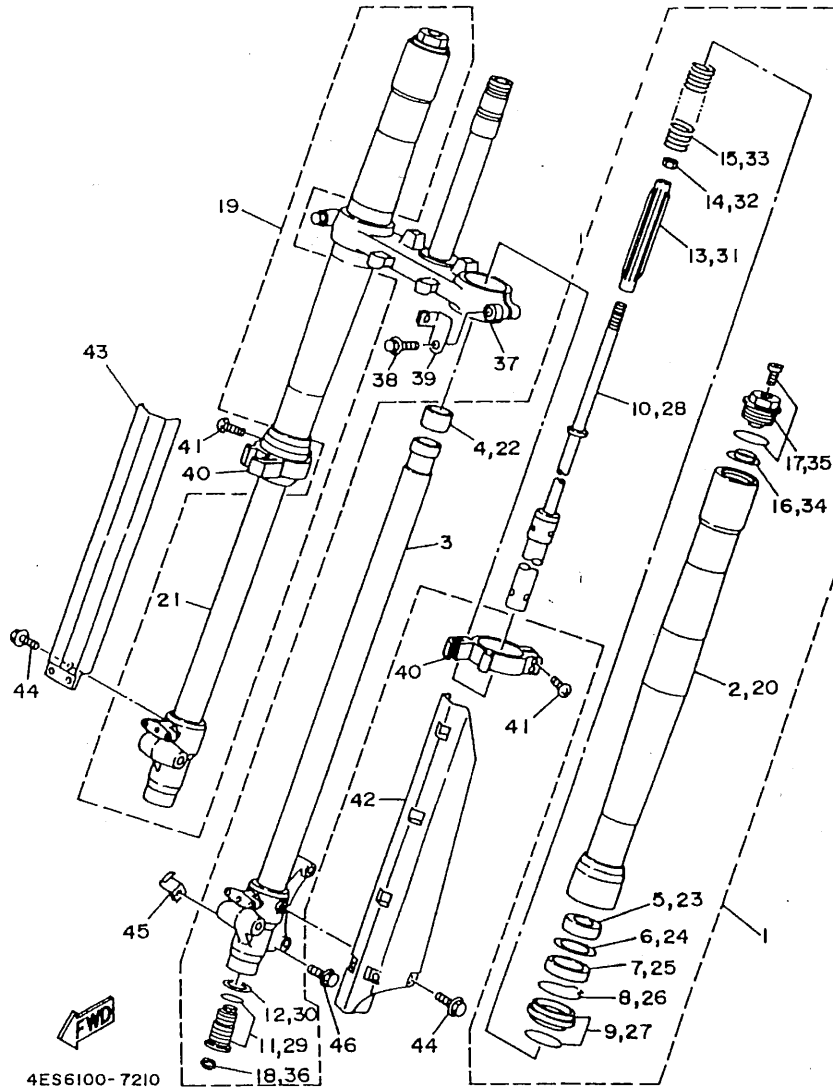
REF. NO.	PART NO.	DESCRIPTION	4ES7	4LC5	REMARKS
1	93332-00079	BEARING	2	2	
2	90201-256K5	WASHER, PLATE (0.5T)	1	1	
3	1J7-23415-00	COVER, BALL RACE 1	1	1	
4	4DA-23389-00	GUIDE, CABLE	1	1	
5	90157-05079	SCREW, PAN HEAD	1	1	
6	90179-25033	NUT	1	1	
7	90179-22412	NUT	1	1	
8	4ES-23435-00	CROWN, HANDLE	1	1	
9	95807-08035	BOLT, FLANGE	2	2	
10	3SP-23441-00	HOLDER, HANDLE UPPER	2	2	
11	95027-08030	BOLT, FLANGE	4	4	
12	4ES-23485-20	PLATE, NUMBER	1	1	
13	95027-06012	BOLT, FLANGE	1	1	
14	4ES-2339E-00	GRAPHIC 1	1	1	



4ES7100-8200

C10

FIG. 21 FRONT FORK

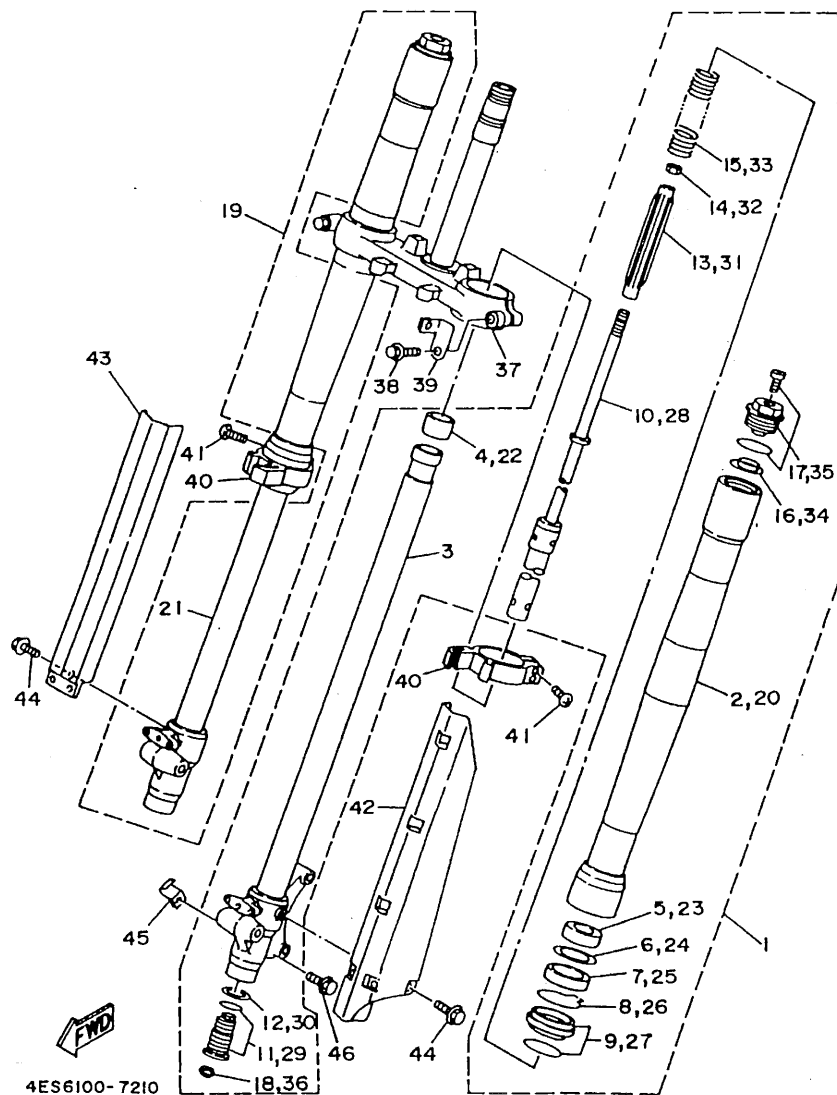


4ES6100- 7210

REF. NO.	PART NO.	DESCRIPTION	4ES7	4LC5	REMARKS
1	4ES-23102-20	FRONT FORK ASSY (L.H)	1		
	4LB-23102-20	FRONT FORK ASSY (L.H)		1	
2	4ES-23136-20	.TUBE, OUTER (RIGHT)	1	1	
3	4ES-23120-00	.INNER TUBE COMP.2	1	1	
4	4ES-23171-00	.PISTON, FRONT FORK	1	1	
5	4ES-23125-00	.METAL, SLIDE 1	1	1	
6	5K5-23149-00	.WASHER, SPRING UPPER	1	1	
7	4ES-23145-00	.OIL SEAL	1	1	
8	4A1-23156-00	.CLIP, OIL SEAL	1	1	
9	4ES-23144-00	.SEAL, DUST	1	1	
10	4ES-23170-10	.CYLINDER COMP., FRONT FORK	1	1	
11	4ES-2316A-10	.VALVE COMP.	1		
	4LB-2316A-20	.VALVE COMP.		1	
12	2HH-23158-L0	.GASKET	1	1	
13	4ES-23142-00	.SEAT, SPRING UPPER	1	1	
14	3XJ-23357-L0	.NUT	1	1	
15	4ES-23141-40	.SPRING, FRONT FORK (K=0.29)	1		
	4LB-23141-10	.SPRING, FRONT FORK (K=0.30)		1	
16	3GM-23142-00	.SEAT, SPRING UPPER	1	1	
17	4ES-23111-10	.BOLT, CAP	1	1	
18	3JD-2312G-L0	.PLUG	1	1	
19	4ES-23103-20	FRONT FORK ASSY (R.H)	1		
	4LB-23103-20	FRONT FORK ASSY (R.H)		1	
20	4ES-23136-20	.TUBE, OUTER (RIGHT)	1	1	
21	4ES-23110-00	.INNER TUBE COMP.1	1	1	
22	4ES-23171-00	.PISTON, FRONT FORK	1	1	
23	4ES-23125-00	.METAL, SLIDE 1	1	1	

C11

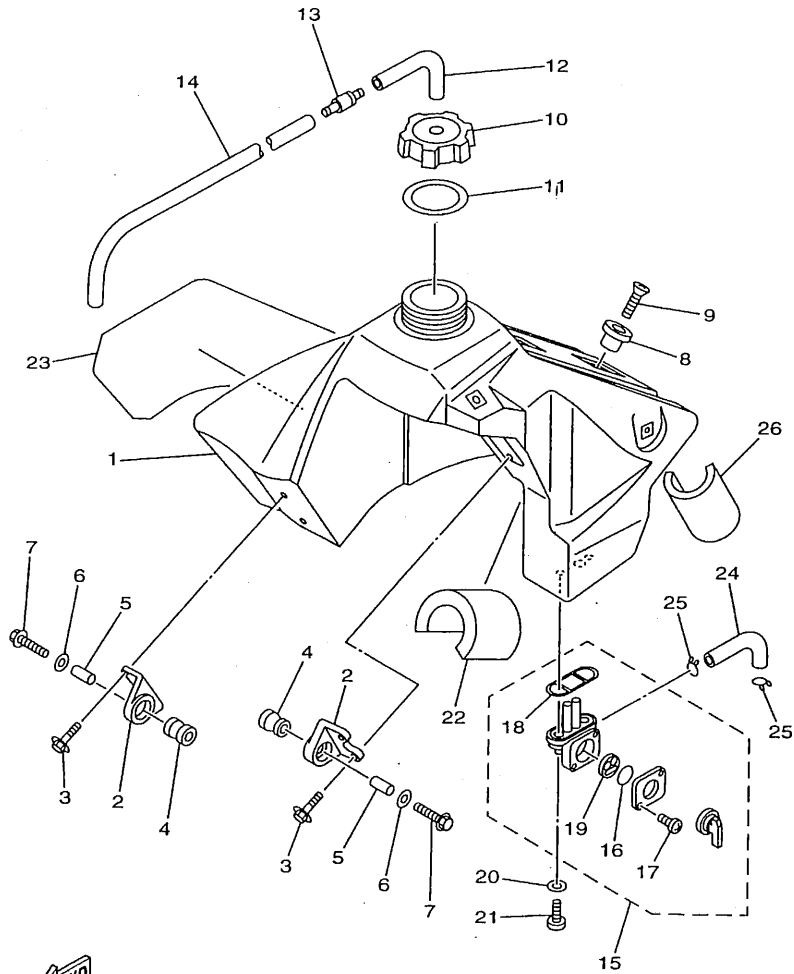
FIG. 21 FRONT FORK



REF. NO.	PART NO.	DESCRIPTION			REMARKS
			4ES7	4CS	
24	5K5-23149-00	.WASHER, SPRING UPPER	1	1	
25	4ES-23145-00	.OIL SEAL	1	1	
26	4A1-23156-00	.CLIP, OIL SEAL	1	1	
27	4ES-23144-00	.SEAL, DUST	1	1	
28	4ES-23170-10	.CYLINDER COMP., FRONT FORK	1	1	
29	4ES-2316A-10	.VALVE COMP.	1		
	4LB-2316A-20	.VALVE COMP.		1	
30	2HH-23158-L0	.GASKET	1	1	
31	4ES-23142-00	.SEAT, SPRING UPPER	1	1	
32	3XJ-23357-L0	.NUT	1	1	
33	4ES-23141-40	.SPRING, FRONT FORK (K=0.29)	1		
	4LB-23141-10	.SPRING, FRONT FORK (K=0.30)		1	
34	3GM-23142-00	.SEAT, SPRING-UPPER	1	1	
35	4ES-23111-10	.BOLT, CAP	1	1	
36	3JD-2312G-L0	.PLUG	1	1	
37	4ES-23340-00	UNDER BRACKET COMP.	1	1	
38	95021-10040	BOLT, FLANGE	2	2	
39	4ES-2331E-00	GUIDE, CABLE	1	1	
40	4ES-2314F-00	PROTECTOR GUIDE COMP., 1	2	2	
41	4V4-23194-L0	SCREW, BOOT BAND	4	4	
42	4ES-2314H-L1	PROTECTOR COMP., 1	1	1	
43	4ES-2314J-L0	PROTECTOR COMP., 2	1	1	
44	4DA-23346-L0	BOLT 1	6	6	
45	4ES-23318-00	HOLDER, CABLE 1	1	1	
46	95027-06016	BOLT, FLANGE	1	1	

C12

FIG. 22 FUEL TANK

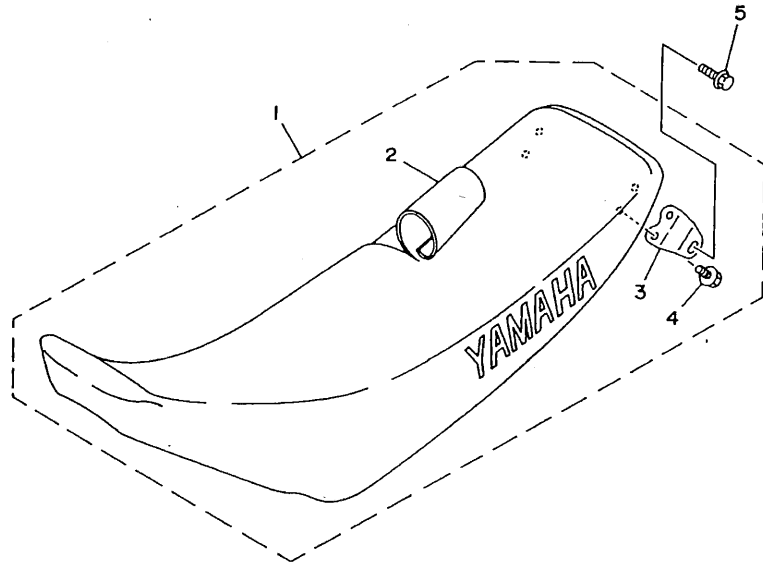


REF. NO.	PART NO.	DESCRIPTION			REMARKS
			4ES7	4LC5	
1	4ES-24110-20	FUEL TANK COMP.	1	1	
2	24X-24144-00	HOLDER, DAMPER	2	2	
3	95027-06016	BOLT, FLANGE	4	4	
4	90480-18549	GROMMET	2	2	
5	90387-06027	COLLAR	2	2	
6	90201-06071	WASHER, PLATE	2	2	
7	95027-06030	BOLT, FLANGE	2	2	
8	4EW-2412F-00	BRACKET, SEAT	1	1	
9	98707-06025	SCREW, FLAT HEAD	1	1	
10	5X7-24611-01	BODY, CAP	1	1	
11	5X7-24612-00	GASKET, CAP	1	1	
12	90445-09055	HOSE	1	1	
13	3XJ-24380-00	PIPE JOINT ASSY	1	1	
14	90445-09100	HOSE	1	1	
15	4DP-24500-00	FUEL COCK ASSY 1	1	1	
16	3AJ-24534-00	.SEAL, COCK	1	1	
17	97801-03008	.SCREW, PAN HEAD	2	2	
18	4X8-24512-00	.O-RING	1	1	
19	3AJ-24523-00	.VALVE PACKING	1	1	
20	90202-05193	WASHER, PLATE	2	2	
21	90149-06011	SCREW	2	2	
22	3Y0-24183-00	DAMPER, LOCATING 3	1	1	
23	4ES-24161-50	EMBLEM 1	1	1	
24	4ES-24311-10	PIPE, FUEL 1	1	1	
25	90467-10008	CLIP	2	2	
26	51L-28371-00	DAMPER	1	1	


4ES7100-8220

C13

FIG. 23 SEAT



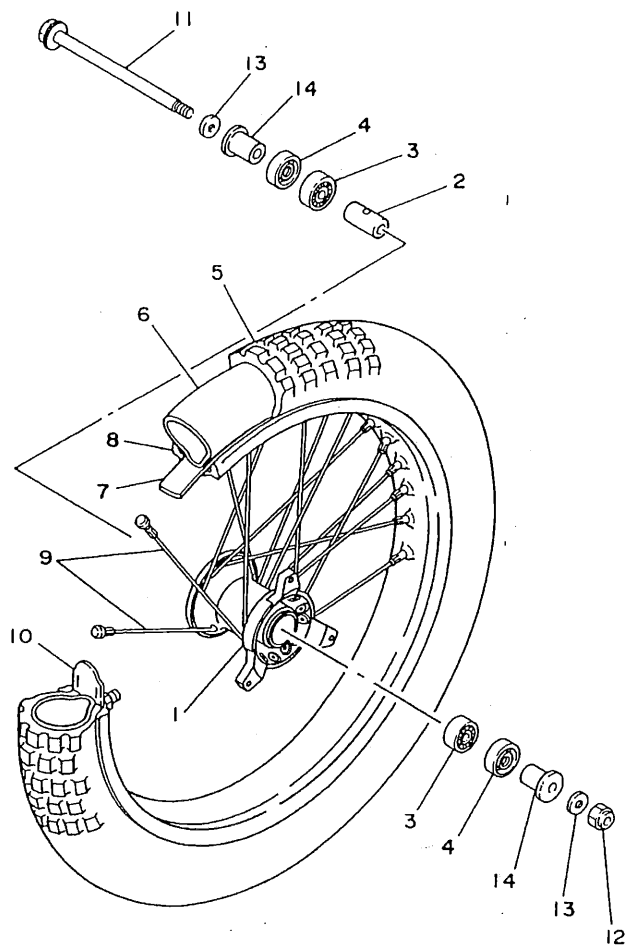
REF. NO.	PART NO.	DESCRIPTION			REMARKS
			4ES7	4LCS	
1	4ES-24770-30	SEMI-DOUBLE SEAT ASSY	1	1	
2	4ES-24731-30	.COVER, SEAT	1	1	
3	4ES-24728-00	.BRACKET, SEAT	2	2	
4	95027-06012	.BOLT, FLANGE	4	4	
5	90119-06225	BOLT, WITH WASHER	2	2	



4ES6100-7230

C14

FIG. 24 FRONT WHEEL



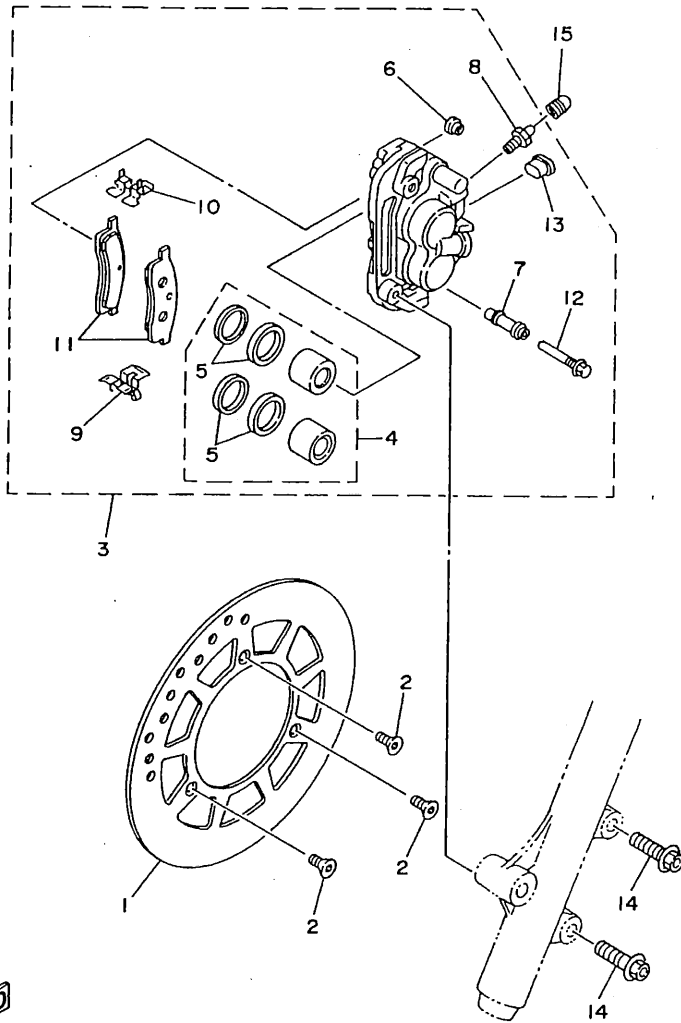
REF. NO.	PART NO.	DESCRIPTION	4ES7	4LC5	REMARKS
1	4ES-25111-00	HUB, FRONT	1	1	
2	90387-124H0	COLLAR	1	1	
3	93306-20120	BEARING	2	2	
4	93106-20031	OIL SEAL	2	2	
5	94107-177Y5	TIRE (70/100-17 40M K490)	1		DUNLOP
	94107-1706B	TIRE (70/100-17 40M D752F)	1		DUNLOP FOR CAN
	94107-1906D	TIRE (70/100-19 42M D752F)		1	DUNLOP
6	94207-17284	TUBE (70/100-17 TR4)	1		DUNLOP
	94207-19290	TUBE (70/100-19 TR-4)		1	DUNLOP
7	94307-17166	BAND, RIM (80/90,70/100-17)	1		DUNLOP
	94307-19170	BAND, RIM (70/100-19)		1	DUNLOP
8	94414-17530	RIM (1.40-17)	1		
	94414-19521	RIM (1.40-19)		1	
9	4ES-25104-20	SPOKE SET, FRONT	1		
	4LB-25104-00	SPOKE SET, FRONT		1	
10	1T1-25194-00	SPACER, BEAD	1	1	
11	4ES-25181-00	AXLE, WHEEL	1	1	
12	90185-12046	NUT, SELF-LOCKING	1	1	
13	90201-12362	WASHER, PLATE	2	2	
14	4ES-25183-10	COLLAR, WHEEL	2	2	



4ES1100-3240

C15

FIG. 25 FRONT BRAKE CALIPER

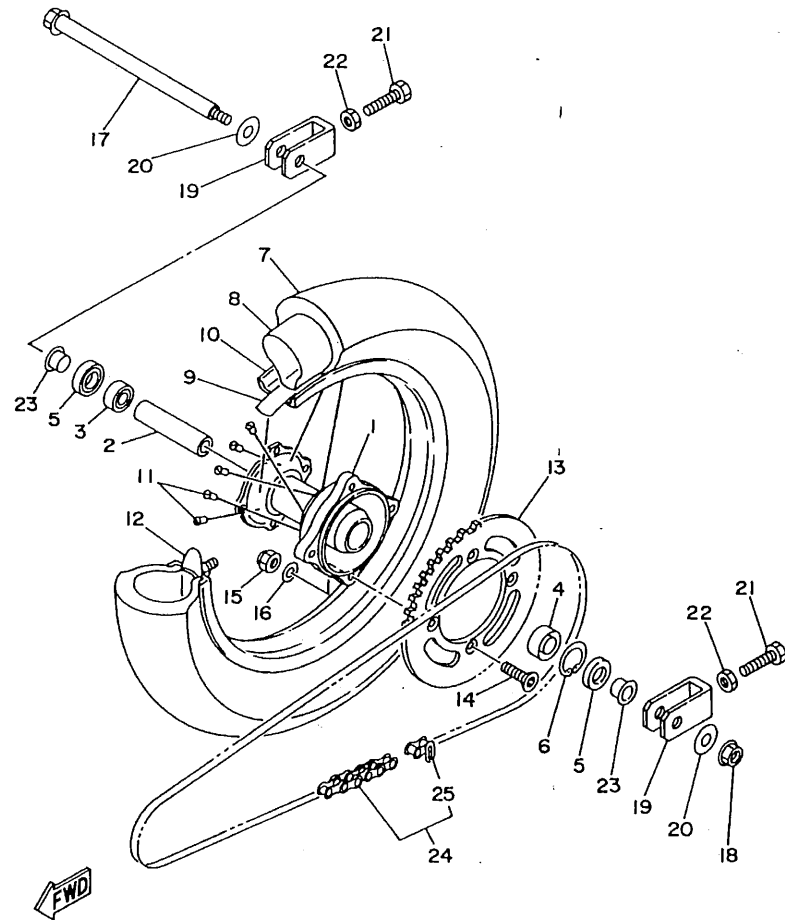


REF. NO.	PART NO.	DESCRIPTION			REMARKS
			4ES7	4LC5	
1	4ES-2582T-00	DISC, BRAKE	1	1	
2	90149-06272	SCREW	3	3	
3	4ES-2580T-20	CALIPER ASSY (LEFT)	1	1	
4	4ES-W0057-10	.PISTON ASSY, CALIPER	1	1	
5	4ES-W0047-10	..CALIPER SEAL KIT	1	1	
6	5R2-25937-00	.BOOT 2	1	1	
7	56A-25937-00	.BOOT 2	1	1	
8	47X-25824-00	.SCREW, BLEED	1	1	
9	56A-25919-00	.SUPPORT, PAD	1	1	
10	56A-25919-10	.SUPPORT, PAD	1	1	
11	4ES-W0045-20	.BRAKE PAD KIT	1	1	
12	56A-25926-00	.BOLT	1	1	
13	34X-25845-00	..CAP, INDICATOR	1	1	
14	90105-08211	BOLT, WASHER BASED	2	2	
15	51L-25825-00	CAP	1	1	

4ES3100-4250

D2

FIG. 26 REAR WHEEL



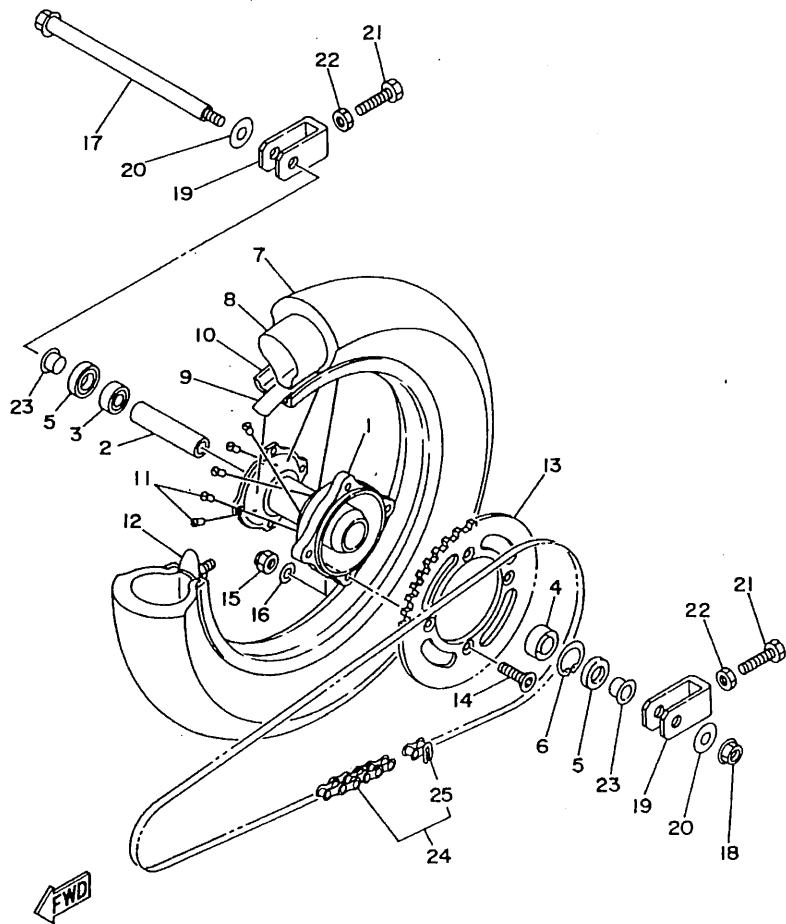
4ES1100-3260

REF. NO.	PART NO.	DESCRIPTION	4ES7	4LC5	REMARKS
1	4ES-25311-00	HUB, REAR	1	1	
2	4ES-25383-00	COLLAR, WHEEL	1	1	
3	93306-00210	BEARING	1	1	
4	93306-20227	BEARING	1	1	
5	93102-20009	OIL SEAL	2	2	
6	99009-35500	CIRCLIP	1	1	
7	94109-147Y6	TIRE (90/100-14 49M K695)	1		DUNLOP
	94109-1406C	TIRE (90/100-14 49M D752)	1		DUNLOP FOR CAN
	94109-1606E	TIRE (90/100-16 52M D752)		1	DUNLOP
8	94208-14285	TUBE (80-90/100-14 TR4)	1		DUNLOP
	94209-16291	TUBE (90/100-16 TR-4)		1	DUNLOP
9	94308-14165	BAND, RIM (80-90/100-14)	1		DUNLOP
	94307-16171	BAND, RIM (70-90/100-16)		1	DUNLOP
10	94416-14529	RIM (1.60-14)	1		
	94418-16522	RIM (1.85-16)		1	
11	4ES-25304-20	SPOKE SET, REAR	1		
	4LB-25304-00	SPOKE SET, REAR		1	
12	5X2-25394-00	SPACER, BEAD	1		
	1T2-25394-00	SPACER, BEAD		1	
13	4ES-25447-20	SPROCKET, DRIVEN (47T)	1	1	STD
	4ES-25446-00	SPROCKET, DRIVEN (46T)	1	1	AP
	4ES-25448-00	SPROCKET, DRIVEN (48T)	1	1	AP
14	90109-081G2	BOLT	4	4	
15	95617-08100	NUT, U	4	4	
16	90201-086P8	WASHER, PLATE	4	4	
17	4ES-25381-01	AXLE, WHEEL	1	1	
18	95607-14200	NUT, SELF-LOCKING	1	1	

D3

FIG. 26 REAR WHEEL

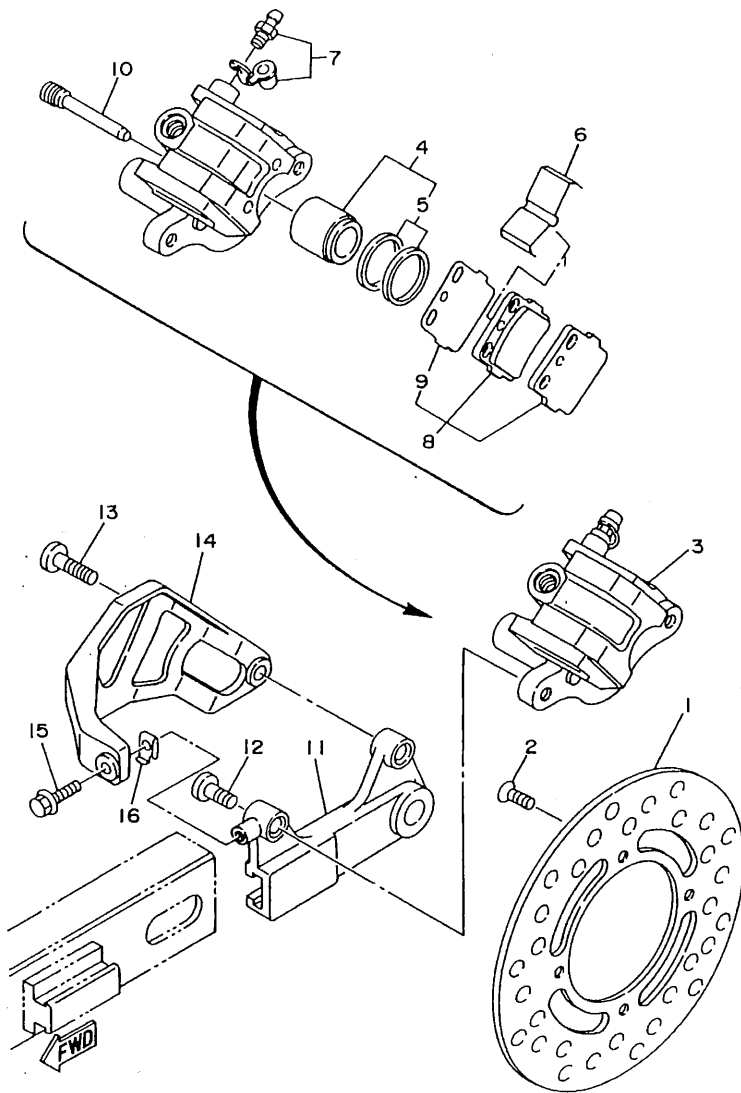
REF. NO.	PART NO.	DESCRIPTION	4ES7	4LC5	REMARKS
19	4ES-25388-00	PULLER, CHAIN 1	2	2	
20	90201-161R1	WASHER, PLATE	2	2	
21	90101-08475	BOLT	2	2	
22	95307-08700	NUT	2	2	
23	4ES-25383-10	COLLAR, WHEEL	2	2	
24	9Y581-58117	CHAIN (DID428G2 118L)	1		
	9Y581-58119	CHAIN (DID428G2 120L)		1	
25	94681-58001	JOINT, CHAIN	1	1	



4ES1100-3260

D4

FIG. 27 REAR BRAKE CALIPER

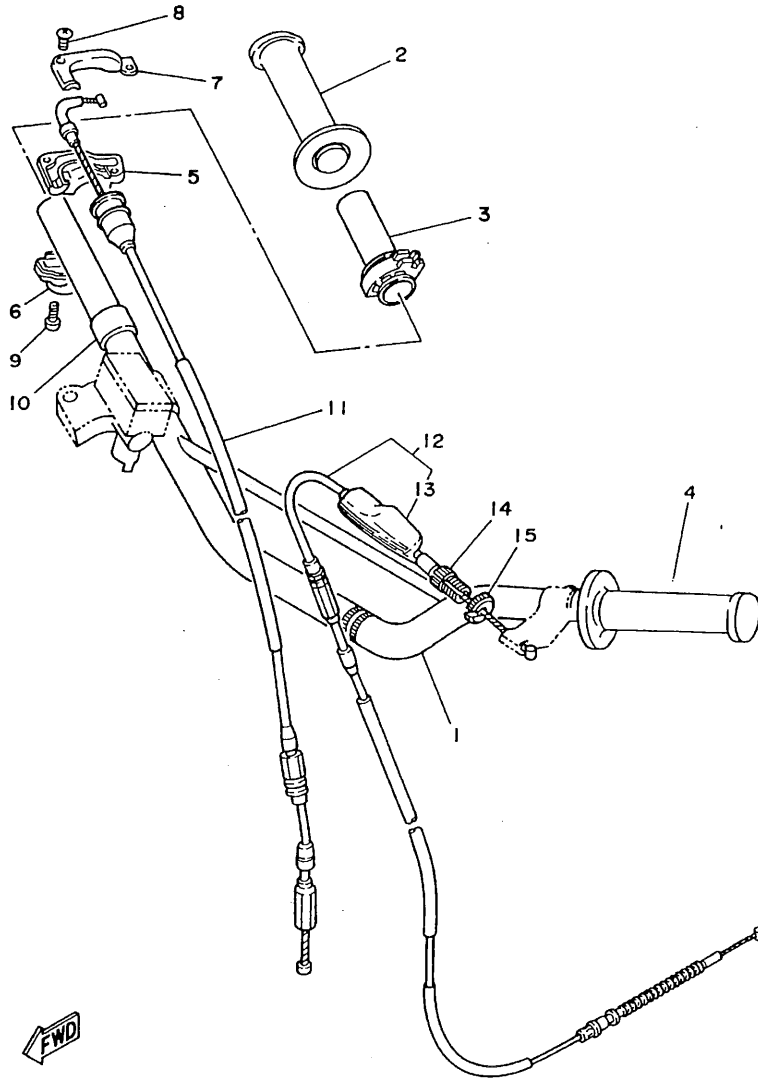


4ES1100-3270

REF. NO.	PART NO.	DESCRIPTION	4ES7	4LC5	REMARKS
1	4ES-2582W-00	DISC, REAR BRAKE 2	1	1	
2	90149-06272	SCREW	4	4	
3	4ES-2580W-00	CALIPER ASSY, REAR 2	1	1	
4	4ES-W0057-00	.PISTON ASSY, CALIPER	1	1	
5	4ES-W0047-00	..CALIPER SEAL KIT	1	1	
6	1UY-25919-51	.SUPPORT, PAD	1	1	
7	1UY-W0048-50	.BLEED SCREW KIT	1	1	
8	4ES-W0046-50	.BRAKE PAD KIT 2	1	1	
9	3GD-25827-00	..SHIM, CALIPER	1	1	
10	3GD-25933-00	.PIN, PAD	2	2	
11	4ES-25920-00	SUPT. BRKT. ASSY.	1	1	
12	90110-08096	BOLT, HEXAGON SOCKET HEAD	1	1	
13	90109-08718	BOLT	1	1	
14	4ES-27491-00	PROTECTOR	1	1	
15	95027-06012	BOLT, FLANGE	1	1	
16	4ES-27114-00	STOPPER, MAIN STAND	1	1	

D5

FIG. 28 STEERING HANDLE. CABLE

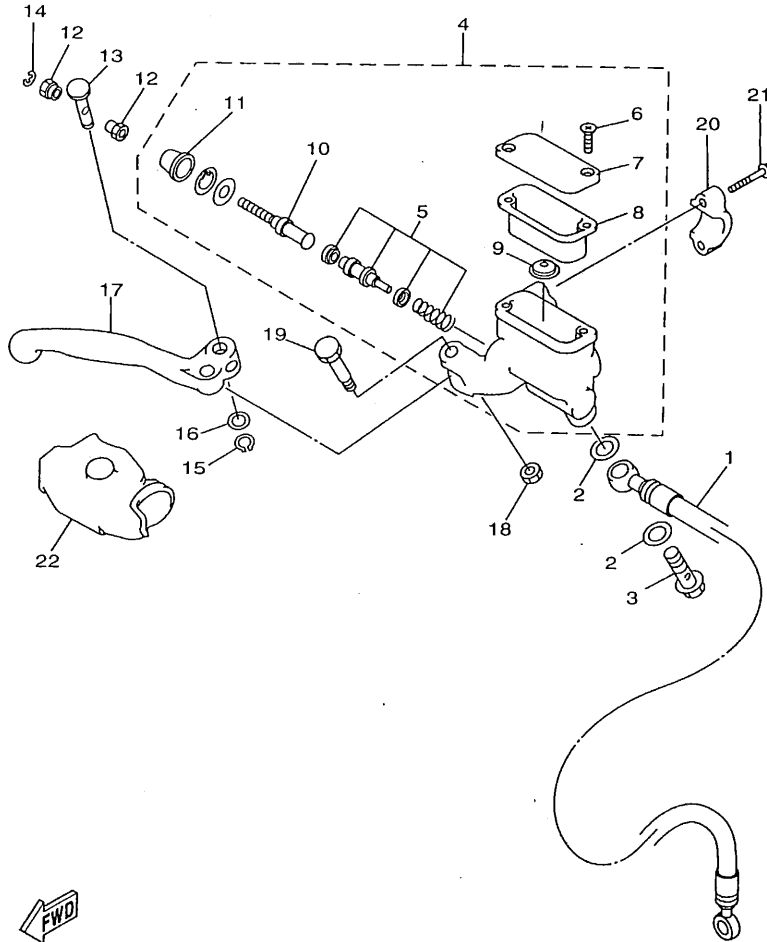


4ES6100-7280

REF. NO.	PART NO.	DESCRIPTION	4ES7	4LCS			REMARKS
1	4ES-26111-30	HANDLEBAR	1	1			
2	4GY-26242-00	GRIP (RIGHT)	1	1			
3	22W-26243-00	TUBE, THROTTLE GUIDE	1	1			
4	4GY-26241-00	GRIP (LEFT)	1	1			
5	5X2-26281-00	CAP, GRIP UPPER	1	1			
6	322-26282-00	CAP, GRIP LOWER	1	1			
7	5X2-2628H-01	CAP, WIRE	1	1			
8	98707-04012	SCREW, FLAT HEAD	2	2			
9	98507-05016	SCREW, PAN HEAD	2	2			
10	90387-220G4	COLLAR	1	1			
11	4ES-26311-00	CABLE, THROTTLE 1	1	1			
12	4ES-26335-11	CABLE, CLUTCH	1	1			
13	498-26372-00	COVER, HANDLE LEVER 1	1	1			
14	90123-08046	BOLT	1	1			
15	90179-08148	NUT	1	1			

D6

FIG. 29 FRONT MASTER CYLINDER

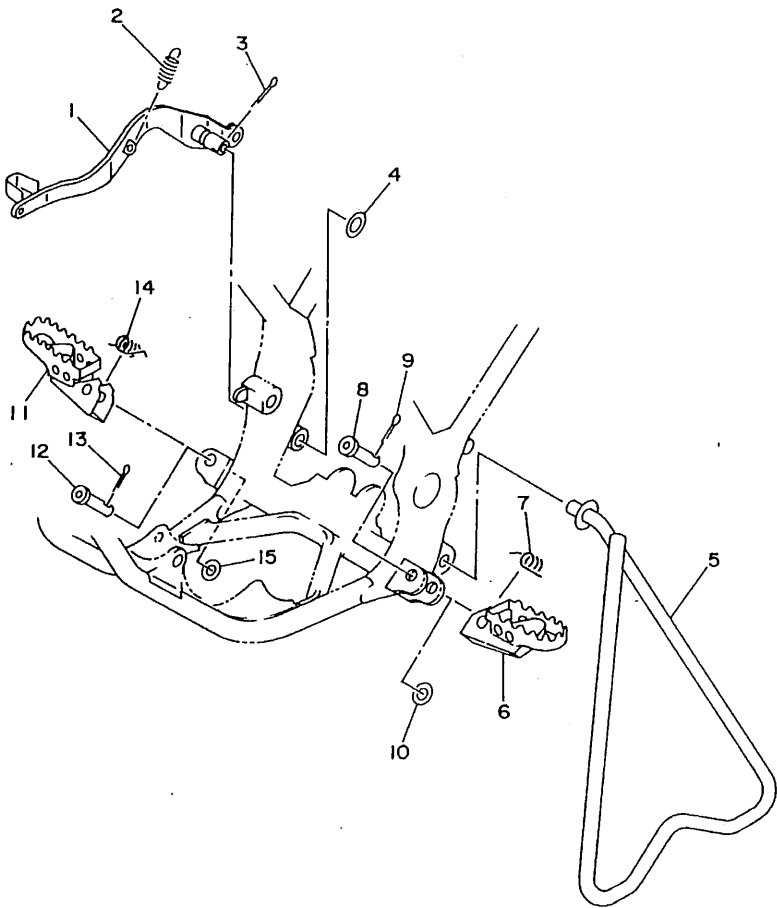


REF. NO.	PART NO.	DESCRIPTION	4ES7	4LC5	REMARKS
1	4ES-25872-02	HOSE, BRAKE 1	1	1	
2	90201-10118	WASHER, PLATE	4	4	
3	90401-10168	BOLT, UNION	2	2	
4	4SS-W2587-00	MASTER CYLINDER SUB ASSY	1	1	
5	4SS-W0041-00	.CYLINDER KIT, MASTER	1	1	
6	98706-04012	.SCREW, FLAT HEAD	2	2	
7	4SS-25852-00	.CAP, RESERVOIR	1	1	
8	4SS-25854-00	.DIAPHRAGM, RESERVOIR	1	1	
9	4SS-25889-00	.SEPARATOR ASSY	1	1	
10	4SS-25880-00	.PUSH ROD COMP.	1	1	
11	4SS-25868-00	.BOOT, MASTER CYLINDER	1	1	
12	4SS-2538E-00	NUT, ADJUSTING	2	2	
13	4SS-83913-00	COLLAR, LEVER 1	1	1	
14	3YX-25866-10	CIRCLIP	1	1	
15	4SS-25866-00	CIRCLIP	1	1	
16	4SS-2583G-00	WASHER	1	1	
17	4SS-83922-01	LEVER 2	1	1	
18	95606-06100	NUT, U	1	1	
19	4SS-2589F-00	BOLT, LEVER	1	1	
20	3YK-25867-00	BRACKET, MASTER CYLINDER	1	1	
21	4SS-25833-00	BOLT, FITTING	2	2	
22	4SS-26372-00	COVER, HANDLE LEVER 1	1	1	


4ES6100-7290

D7

FIG. 30 STAND, FOOTREST



REF. NO.	PART NO.	DESCRIPTION	4ES7	4LC5	REMARKS
1	4ES-27211-00	PEDAL, BRAKE	1	1	
2	90506-15480	SPRING, TENSION	1	1	
3	91401-20025	PIN, COTTER	1	1	
4	90201-15700	WASHER, PLATE	1	1	
5	4ES-27311-00	STAND, SIDE	1		
	4LB-27311-00	STAND, SIDE		1	
6	4DA-27411-00	FOOTREST 1	1	1	
7	90508-28777	SPRING, TORSION	1	1	
8	90240-10117	PIN, CLEVIS	1	1	
9	91401-25015	PIN, COTTER	1	1	
10	90201-10119	WASHER, PLATE	1	1	
11	4DA-27421-00	FOOTREST 2	1	1	
12	90240-10117	PIN, CLEVIS	1	1	
13	91401-25015	PIN, COTTER	1	1	
14	90508-28777	SPRING, TORSION	1	1	
15	90201-10119	WASHER, PLATE	1	1	



4ES1100-3300

D8

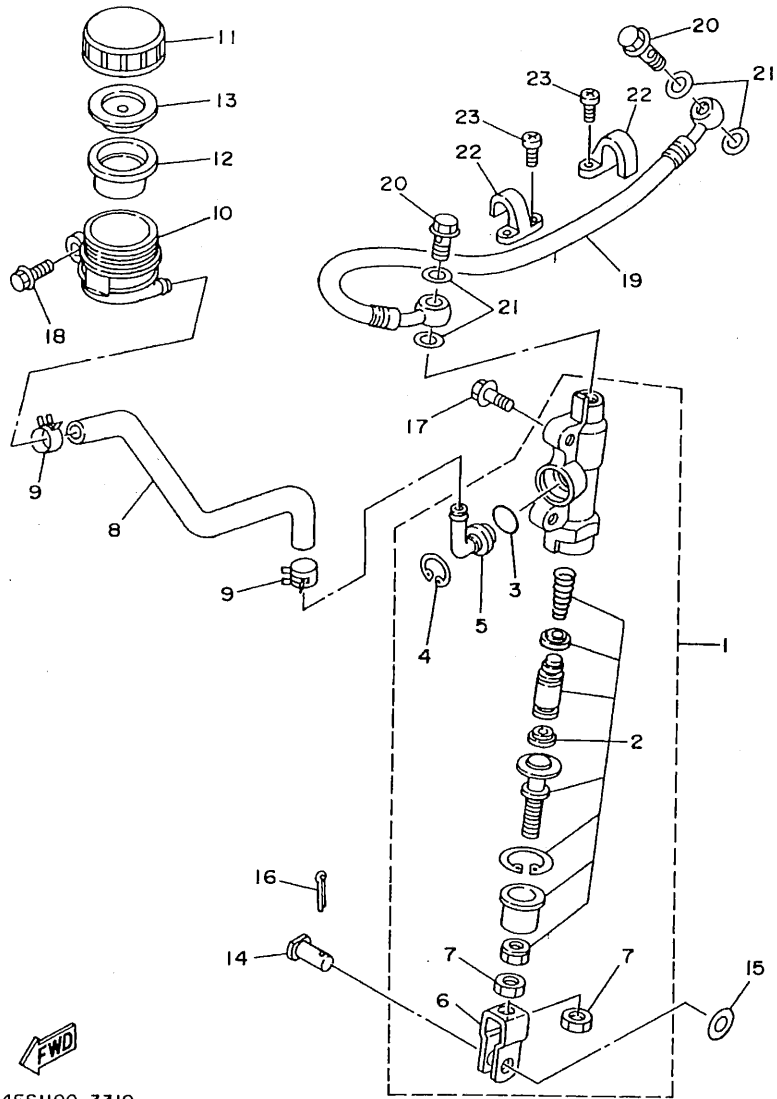


FIG. 31 REAR MASTER CYLINDER

REF. NO.	PART NO.	DESCRIPTION			REMARKS
			4ES7	4LC5	
1	4ES-2583V-00	RR. MASTER CYLINDER ASSY.	1	1	
2	1FK-W0042-50	.CYLINDER KIT, MASTER	1	1	
3	93210-15620	.O-RING	1	1	
4	2VN-25866-00	.CIRCLIP	1	1	
5	2VN-2582A-50	.JOINT	1	1	
6	2YK-27222-00	.JOINT	1	1	
7	95307-08600	.NUT	2	2	
8	4ES-25895-00	HOSE, RESERVOIR	1	1	
9	90467-11044	CLIP	2	2	
10	4EW-25894-00	TANK, RESERVOIR	1	1	
11	3XP-25852-50	CAP, RESERVOIR	1	1	
12	2VN-25854-00	DIAPHRAGM, RESERVOIR	1	1	
13	2VN-25855-00	BUSH,DIAPHRAGM	1	1	
14	90240-08124	PIN, CLEVIS	1	1	
15	90201-08083	WASHER, PLATE	1	1	
16	91401-16012	PIN, COTTER	1	1	
17	95027-06016	BOLT, FLANGE	2	2	
18	95027-06012	BOLT, FLANGE	1	1	
19	4ES-25873-01	HOSE, BRAKE 2	1		
	4LB-25873-01	HOSE, BRAKE 2		1	
20	90401-10168	BOLT, UNION	1	1	
21	90201-10118	WASHER, PLATE	4	4	
22	2VM-25876-00	HOLDER, BRAKE HOSE 2	2	2	
23	97780-50510	SCREW, TAPPING	4	4	

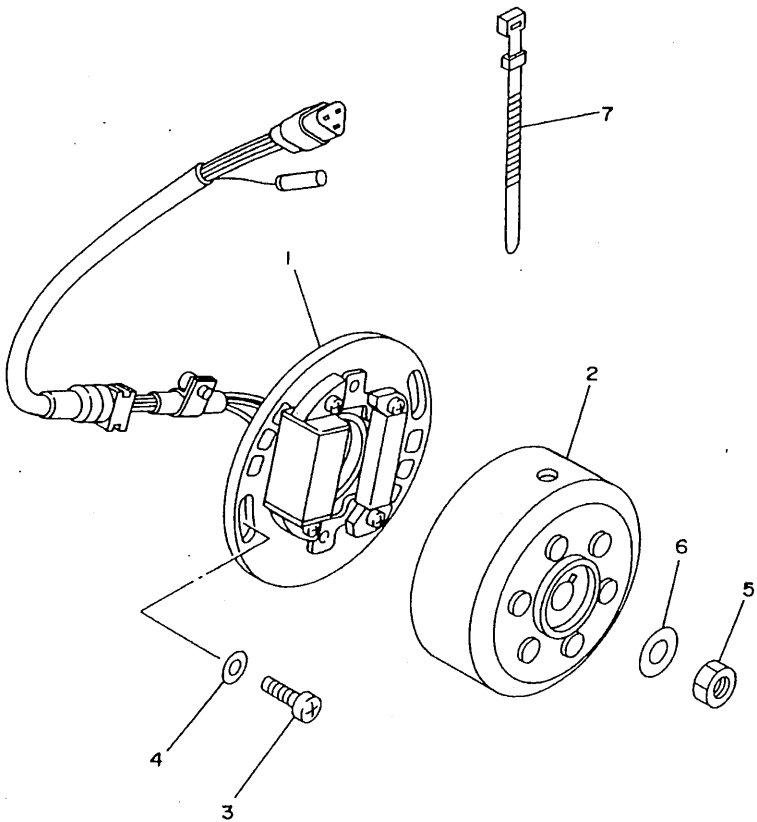
FWD

4ES1100-3310

D9

FIG. 32 GENERATOR

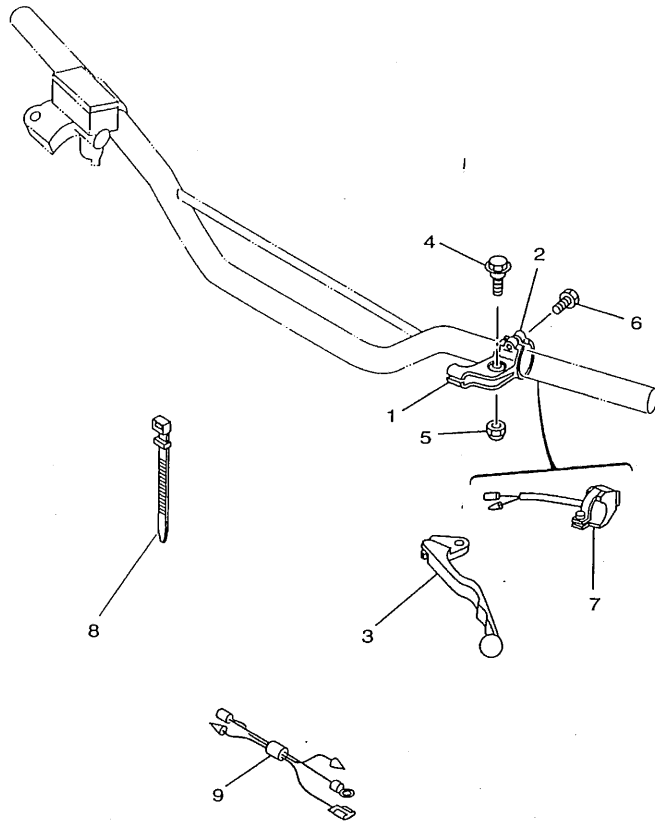
REF. NO.	PART NO.	DESCRIPTION	4ES7	4LC5	REMARKS
1	4ES-85510-20	STATOR ASSY	1	1	
2	4ES-85550-10	ROTOR ASSY	1	1	
3	98507-06016	SCREW, PAN HEAD	2	2	
4	92907-06600	WASHER, PLATE	2	2	
5	95317-10600	NUT	1	1	
6	90201-10591	WASHER, PLATE	1	1	
7	437-83936-01	BAND, SWITCH CORD	3	3	



4GT3300-4320

D10

FIG. 33 HANDLE SWITCH. LEVER



REF. NO.	PART NO.	DESCRIPTION	4ES7	4LC5	REMARKS
1	38V-82911-00	HOLDER, LEVER 1	1	1	
2	38V-82913-00	HOLDER, LEVER LOWER 1	1	1	
3	4GY-83912-00	LEVER 1	1	1	
4	90109-06799	BOLT	1	1	
5	95607-06100	NUT, U	1	1	
6	97007-05016	BOLT	2	2	
7	22W-83976-00	SWITCH, HANDLE 1	1	1	
8	437-83936-01	BAND, SWITCH CORD	2	2	
9	4ES-82509-00	WIRE, SUB LEAD	1	1	

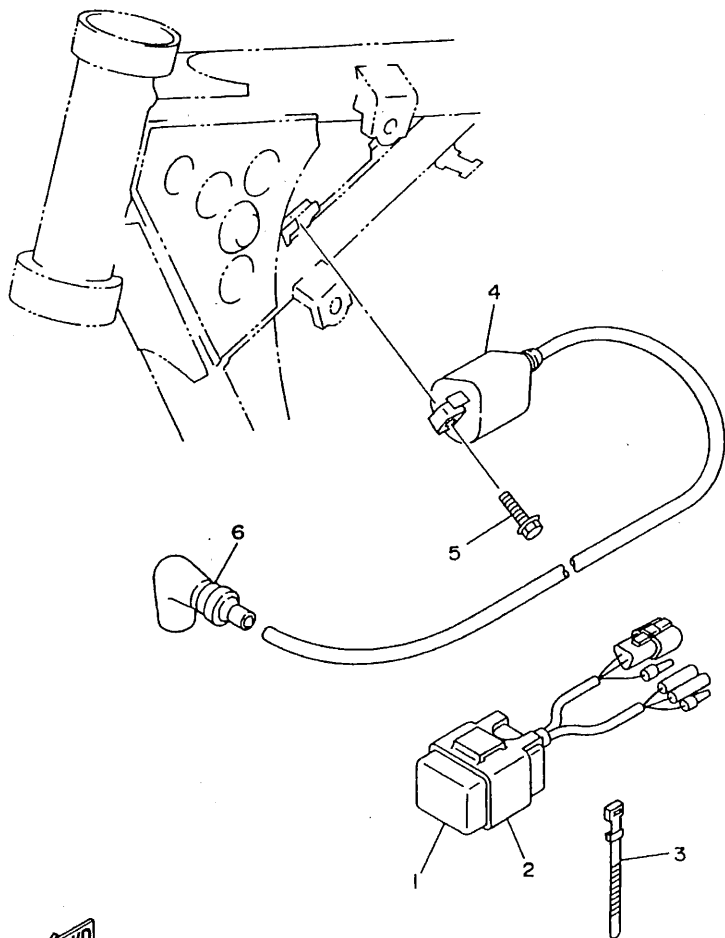


4ES6100-7330

D11

FIG. 34 ELECTRICAL 1

REF. NO.	PART NO.	DESCRIPTION	4ES7	4LC5			REMARKS
1	4ES-85540-20	C.D.I. UNIT ASSY	1	1			
2	2A7-85546-00	BAND	1	1			
3	437-83936-11	BAND, SWITCH CORD	1	1			
4	4KJ-82310-10	IGNITION COIL ASSY	1	1			
5	95027-06016	BOLT, FLANGE	2	2			
6	1M1-82370-21	PLUG CAP ASSY	1	1			



4ES6100-7340

D12

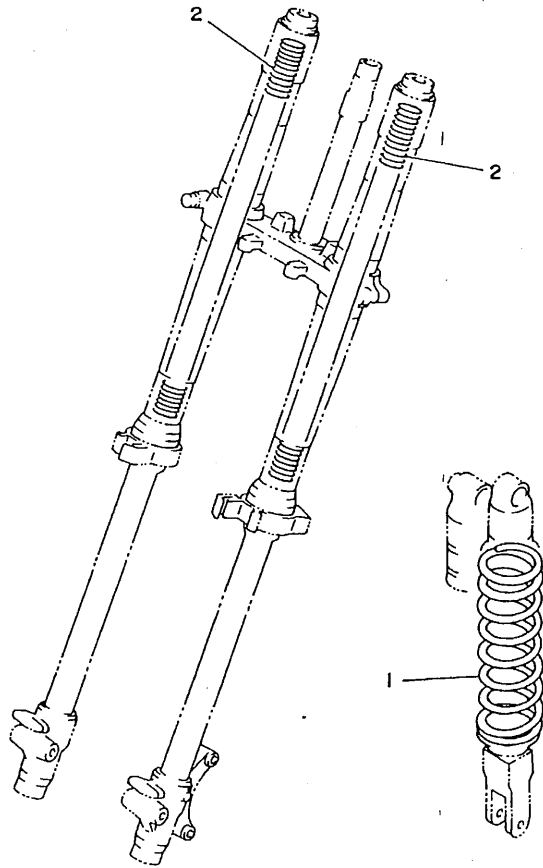


FIG. 35 ALTERNATE (CHASSIS)

REF. NO.	PART NO.	DESCRIPTION	4ES7	4LC5	REMARKS
1	4ES-22212-G0	SPRING (K=4.8)	1		AP SOFT
	4ES-22212-F0	SPRING (K=5.0)		1	AP SOFT
	4ES-22212-H0	SPRING (K=5.2)	1		AP HARD
	4ES-22212-J0	SPRING (K=5.4)		1	AP HARD
2	4ES-23141-50	SPRING, FRONT FORK (K=0.28)	2		AP SOFT
	4ES-23141-40	SPRING, FRONT FORK (K=0.29)		2	AP SOFT
	4ES-23141-60	SPRING, FRONT FORK (K=0.30)	2		AP HARD
	4ES-23141-70	SPRING, FRONT FORK (K=0.31)		2	AP HARD



4ES1100-3350

D13

FIG. 36 OPTIONAL PARTS 1

REF. NO.	PART NO.	DESCRIPTION	4ES7	4LC5			REMARKS
1	4ES-11630-01	PISTON ASSY (STD)	1	1			
2	4ES-11631-01-B0	.PISTON (STD)	1	1			
3	43K-11611-00	.RING, PISTON	1	1			
4	4ES-11633-00	.PIN, PISTON	1	1			
5	93450-16115	.CIRCLIP	2	2			
6	4ES-11650-01	CONNECTING ROD ASSY	1	1			
7	4ES-11651-01	.ROD, CONNECTING	1	1			
8	93310-320T3	.BEARING	1	1			
9	2RA-11681-00	.PIN, CRANK 1	1	1			
10	90209-20159	.WASHER	2	2			
11	93310-214F8	.BEARING	1	1			KOYO

D14

NUMERICAL INDEX

PART NO.	GRID NO.	PART NO.	GRID NO.	PART NO.	GRID NO.	PART NO.	GRID NO.	PART NO.	GRID NO.	PART NO.	GRID NO.
95027-06012	C- 10	98507-06040	B- 10								
	C- 14	98507-06050	B- 10								
	D- 5	98507-06060	B- 10								
	D- 9	98706-04012	D- 7								
95027-06014	C- 7	98707-04012	D- 6								
95027-06016	C- 5	98707-06025	C- 13								
	C- 6	99001-07600	B- 4								
	C- 12	99001-10600	C- 3								
	C- 13	99009-10400	C- 2								
	D- 9	99009-12400	B- 12								
	D- 12	99009-18400	B- 15								
95027-06020	B- 6	99009-35500	D- 3								
95027-06025	B- 4	99241-00080	C- 5								
	B- 9		C- 5								
	B- 9		C- 5								
95027-06030	B- 5		C- 5								
	B- 11	99530-10014	B- 10								
	C- 13		B- 11								
95027-06040	B- 11	99530-10114	B- 2								
95027-08012	C- 4										
95027-08030	C- 10										
95027-08080	B- 11										
95307-08600	D- 9										
95307-08700	D- 4										
95317-10600	D- 10										
95606-06100	D- 7										
95607-06100	D- 11										
95607-08200	C- 4										
	C- 7										
95607-10200	C- 7										
95607-12200	C- 8										
95607-14200	D- 3										
95617-08100	D- 3										
95617-12100	C- 7										
95807-08035	C- 10										
95817-08125	C- 4										
95817-08135	C- 4										
95827-06060	B- 4										
97007-05016	D- 11										
97027-06020	C- 3										
97707-50014	B- 6										
97780-50510	D- 9										
97801-03008	C- 13										
98507-03008	B- 6										
98507-04018	B- 7										
98507-05016	D- 6										
98507-06016	D- 10										
98507-06030	B- 11										

*COPYRIGHT: All rights reserved. No part of this publication
may be reproduced without permission.*

YAMAHA

YAMAHA MOTOR CO., LTD.
2500 SHINGA I IWATA SHIZUOKA JAPAN
SERVICE INFORMATION DIV.

Printed in Japan
First edition JUL., 1997